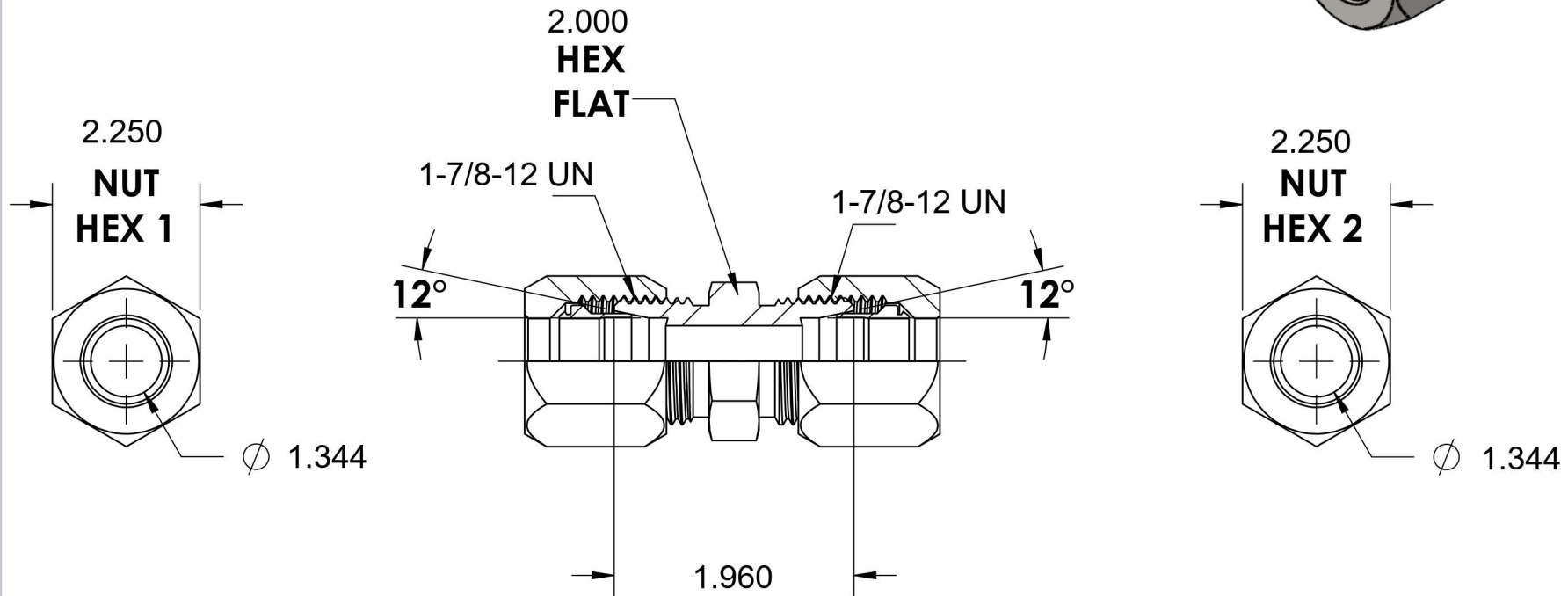


C2403-24-24

Steel, SAE J514 Flareless Tube Union, 1-1/2" Flareless Bite Type x 1-1/2" Flareless Bite Type



6701 Cochran Road
Solon, Ohio 44139
Phone: (440) 248-1880
Toll Free: 1-888-331-1523

Temperature Rating	Material	Industry Standards SAE J514, ASTM B633	Series C2403
Pressure Rating 2000 psi	Finish Trivalent Zinc		Series Description SAE J514 Flareless Tube Union