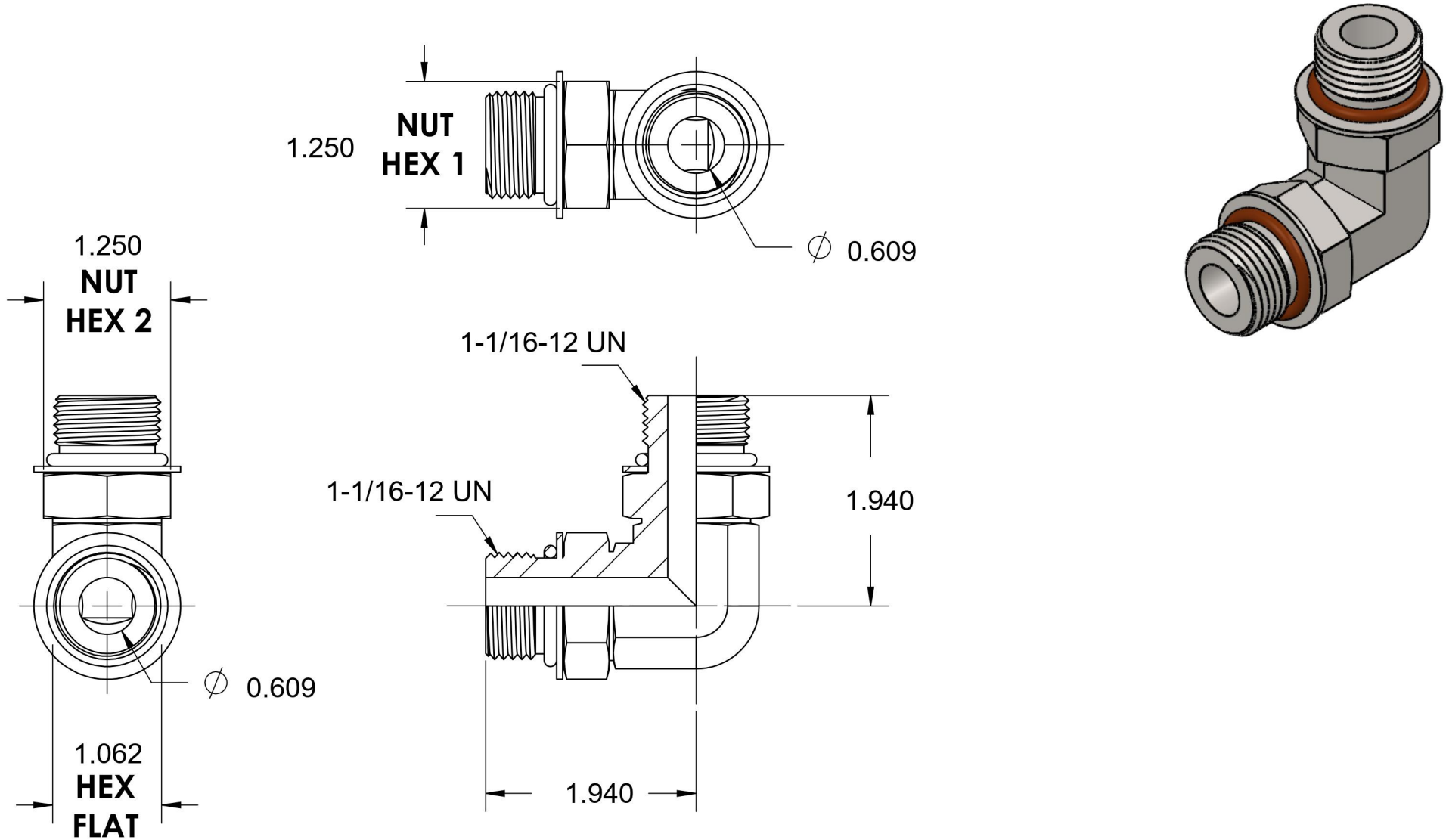


6807-12-12-NWO-SS-VITON

Stainless Steel, SAE J1926 Adjustable O-Ring Boss 90° Adjustable Port Elbow, 1-1/16-12 Male Adjustable ORB x 1-1/16-12 Male Adjustable ORB, FKM Seal



6701 Cochran Road
Solon, Ohio 44139
Phone: (440) 248-1880
Toll Free: 1-888-331-1523

Temperature Rating	Material	Industry Standards	Series
-15°F to 400°F	316/316L Stainless	SAE J1926-3	6807-NWO-FG
Pressure Rating	Finish		Series Description
5400psi	Passivation		SAE J1926 Adjustable O-Ring Boss 90° Adjustable Port Elbow