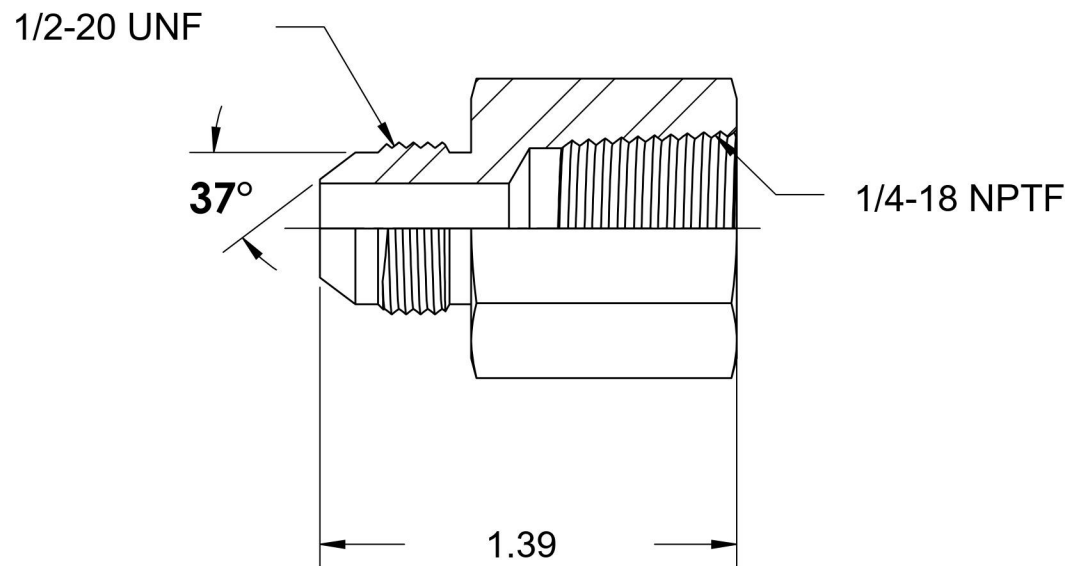
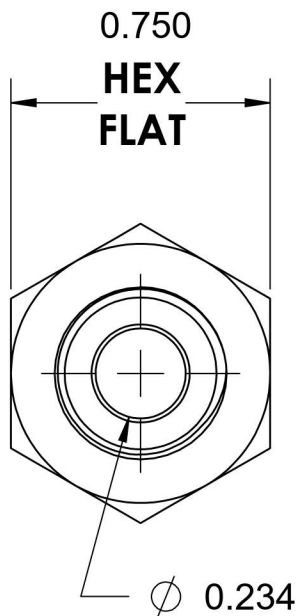


2405-05-04

Steel, SAE J514 Flared Tube Female Connector, 5/16" Male JIC x 1/4" Female NPTF



6701 Cochran Road
Solon, Ohio 44139
Phone: (440) 248-1880
Toll Free: 1-888-331-1523

Temperature Rating -65°F to 500°F	Material C1045/12L14 Steel	Industry Standards SAE J514 , SAE J476 ASTM B633	Series 2405
Pressure Rating 6000 psi	Finish Trivalent Zinc		Series Description SAE J514 Flared Tube Female Connector