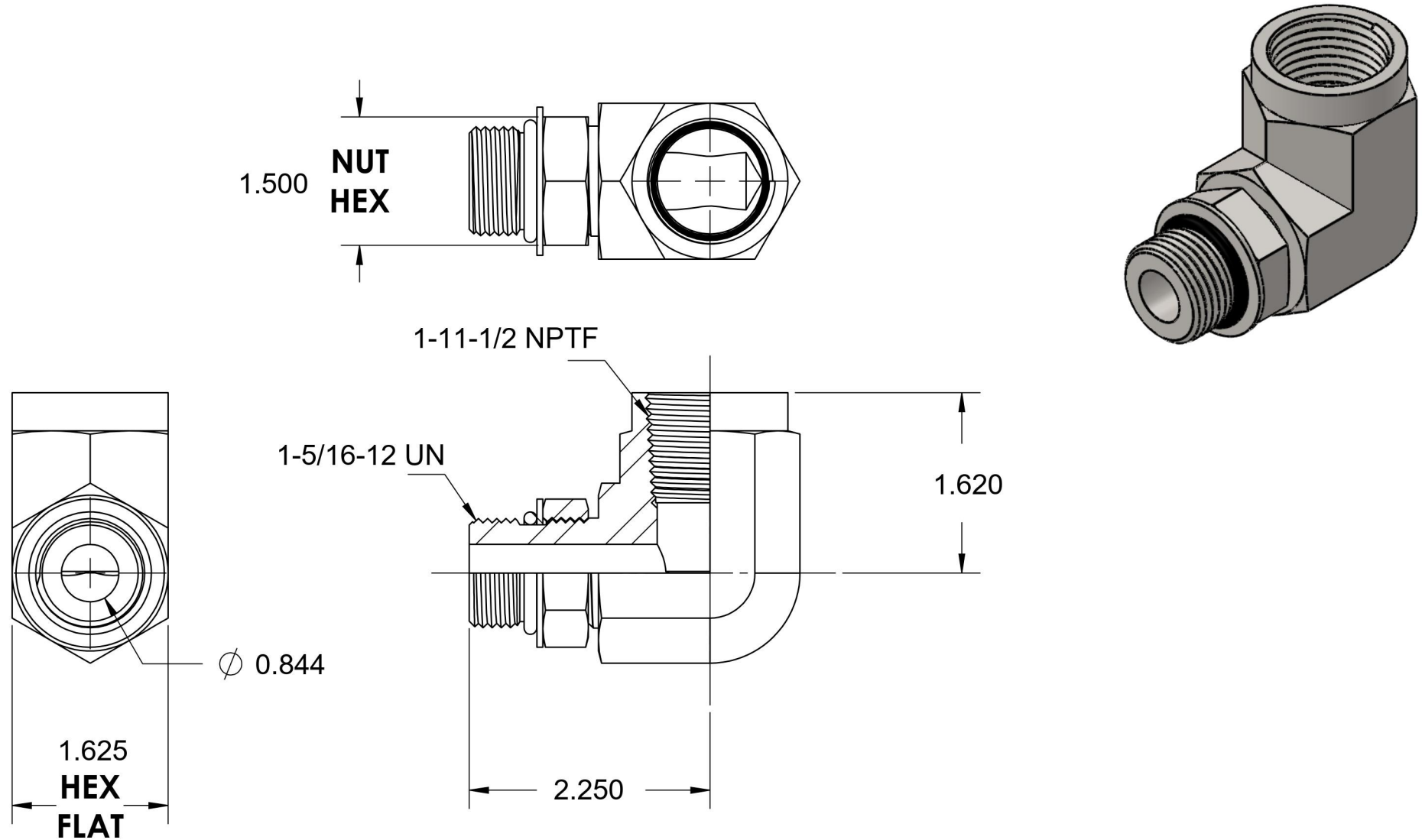


6805-16-16-NWO-SS

Stainless Steel, SAE J1926 Adjustable O-Ring Boss 90° Female Elbow, 1-5/16-12 Male Adjustable ORB x 1-11-1/2" Female NPTF



6701 Cochran Road
Solon, Ohio 44139
Phone: (440) 248-1880
Toll Free: 1-888-331-1523

Temperature Rating

-40°F to 250°F

Pressure Rating

1800 psi

Material

316/316L Stainless Steel

Finish

Passivated

Industry Standards

SAE J1926-3, SAE J476
SAE J515

Series

6805-NWO-SS

Series Description

SAE J1926 Adjustable O-Ring Boss
90° Female Elbow