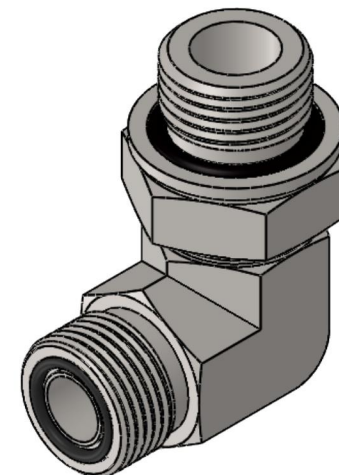
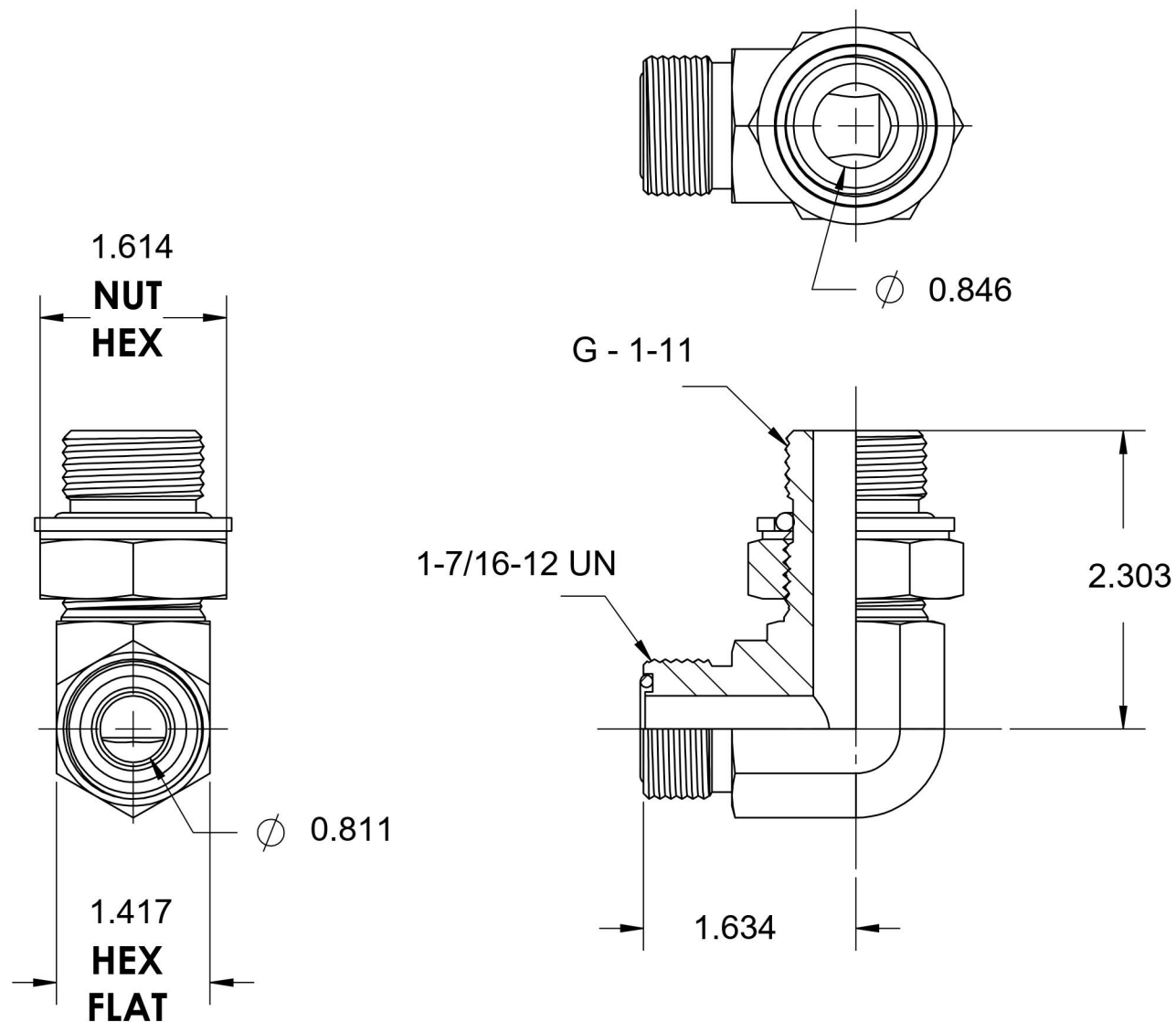


# FS7202-16-16-NWO-FG

Steel, SAE J1453 O-Ring Face Seal Male BSPP Adjustable (Type H) Port 90° Elbow, 1" Male ORFS x 1-11 Male BSPP Adjustable ORR



6701 Cochran Road  
Solon, Ohio 44139  
Phone: (440) 248-1880  
Toll Free: 1-888-331-1523

**Temperature Rating**

-40°F to 250°F

**Pressure Rating**

4000psi

**Material**

C1045 Steel

**Finish**

Trivalent Zinc

**Industry Standards**

SAE J1453, ISO 1179  
ASTM B633

**Series**

FS7202-NWO-FG-ORR

**Series Description**

SAE J1453 O-Ring Face Seal Male BSPP Adjustable (Type H) Port 90° Elbow