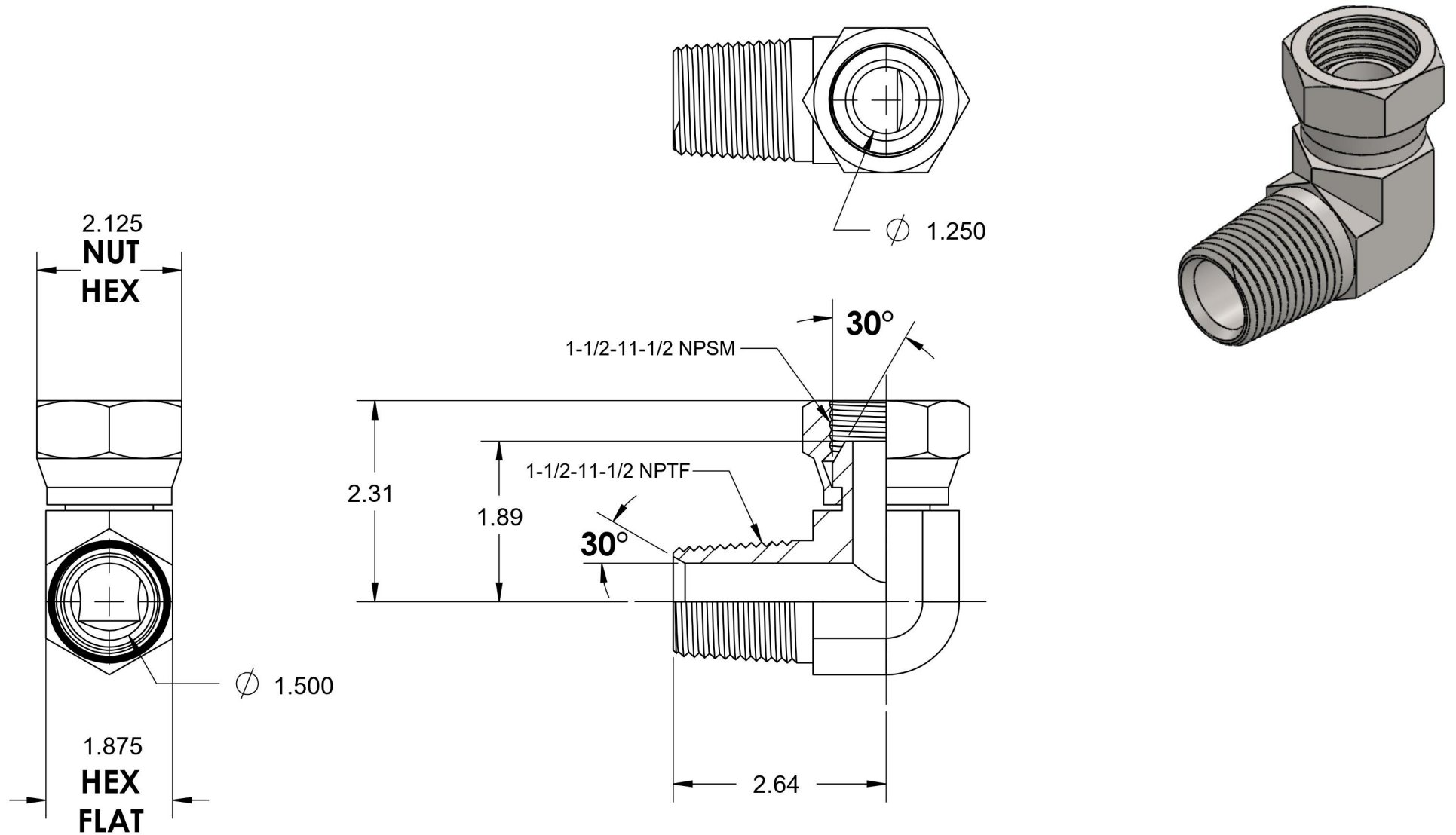


# 1501-24-24-SS

Stainless Steel, SAE J514 NPSM Swivel 90° Male Elbow, 1-1/2" Male NPTF 30° x 1-1/2" Female NPSM Swivel



6701 Cochran Road  
Solon, Ohio 44139  
Phone: (440) 248-1880  
Toll Free: 1-888-331-1523

|                           |                          |                           |  |
|---------------------------|--------------------------|---------------------------|--|
| <b>Temperature Rating</b> | <b>Material</b>          | <b>Industry Standards</b> | <b>Series</b>                          |
| -425°F to 1200°F          | 316/316L Stainless Steel | SAE J514, SAE J476        | 1501-SS                                |
| <b>Pressure Rating</b>    | <b>Finish</b>            |                           | <b>Series Description</b>              |
| 2000 psi                  | Passivated               |                           | SAE J514 NPSM Swivel<br>90° Male Elbow |