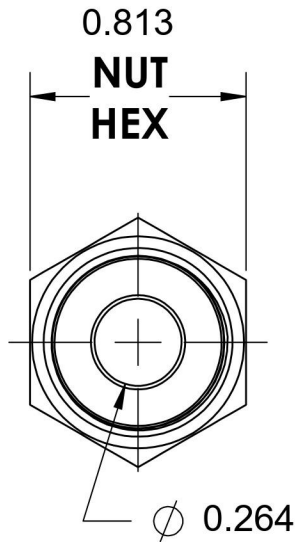
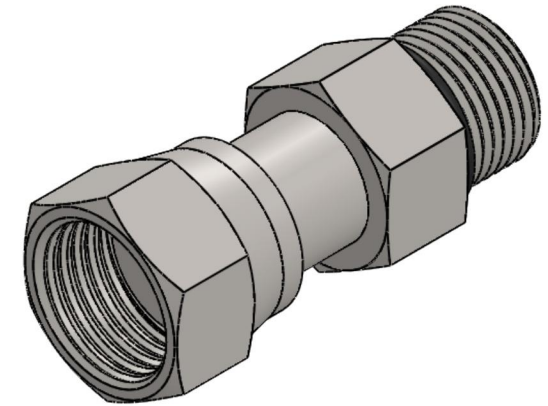


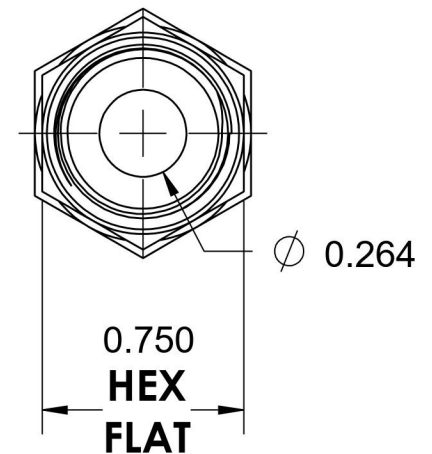
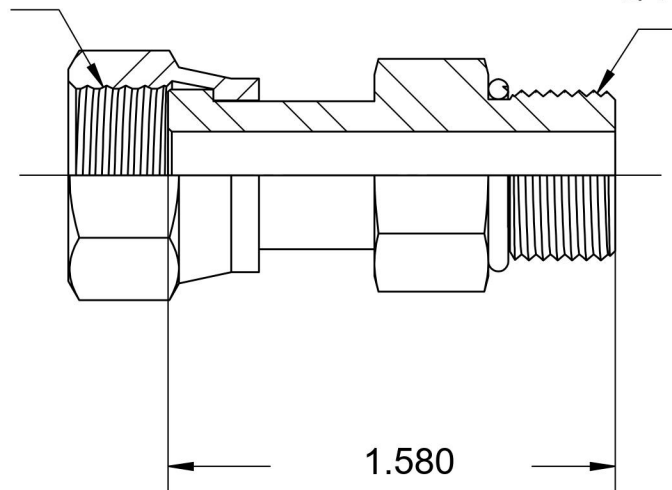
FS6540-06-06-O

Steel, SAE J1453 O-Ring Face Seal Swivel Port Connector, 3/8" Female ORFS Swivel x 9/16-18 Male ORB



11/16-16 UNF

9/16-18 UNF



6701 Cochran Road
Solon, Ohio 44139
Phone: (440) 248-1880
Toll Free: 1-888-331-1523

Temperature Rating	Material	Industry Standards	Series
-40°F to 250°F	C1045/12L14 Steel	SAE J1453, SAE J1926-2 SAE J515, ASTM B633	FS6540-O
Pressure Rating	Finish		Series Description
9200 psi	Trivalent Zinc		SAE J1453 O-Ring Face Seal Swivel Port Connector