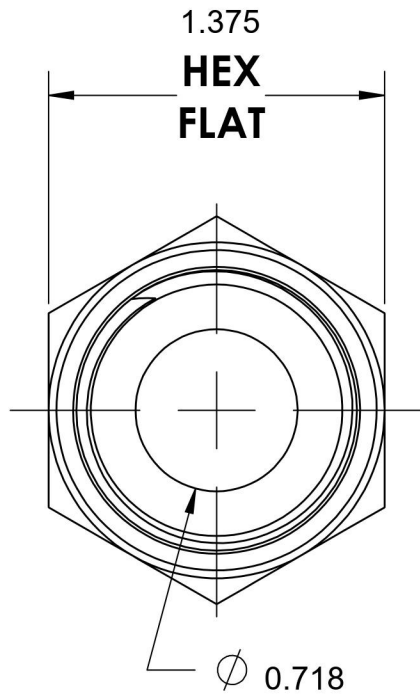
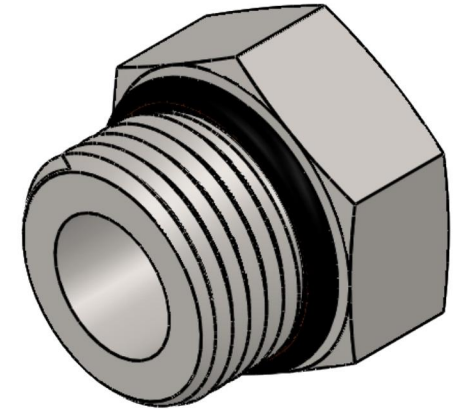
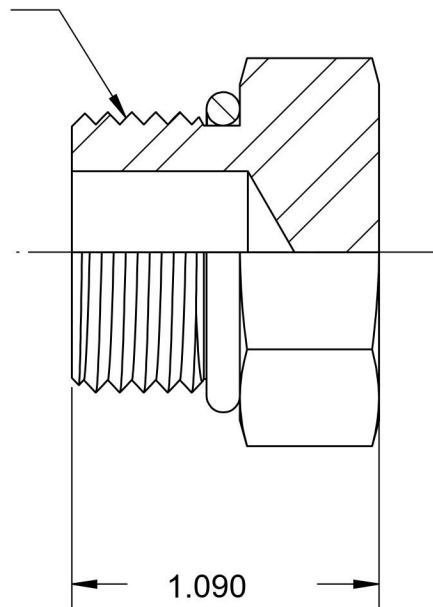


6408-14-O

Steel, SAE J1926 O-Ring Boss Hex Head Plug, 1-3/16-12 Male ORB



1-3/16-12 UN



6701 Cochran Road
Solon, Ohio 44139
Phone: (440) 248-1880
Toll Free: 1-888-331-1523

Temperature Rating	Material	Industry Standards	Series
-40°F to 250°F	C1045 / 12L14 Steel	SAE J514, SAE J1926-3	6408-O
Pressure Rating	Finish	ASTM B633	Series Description
5500 psi	Trivalent Zinc		SAE J1926 O-Ring Boss Hex Head Plug