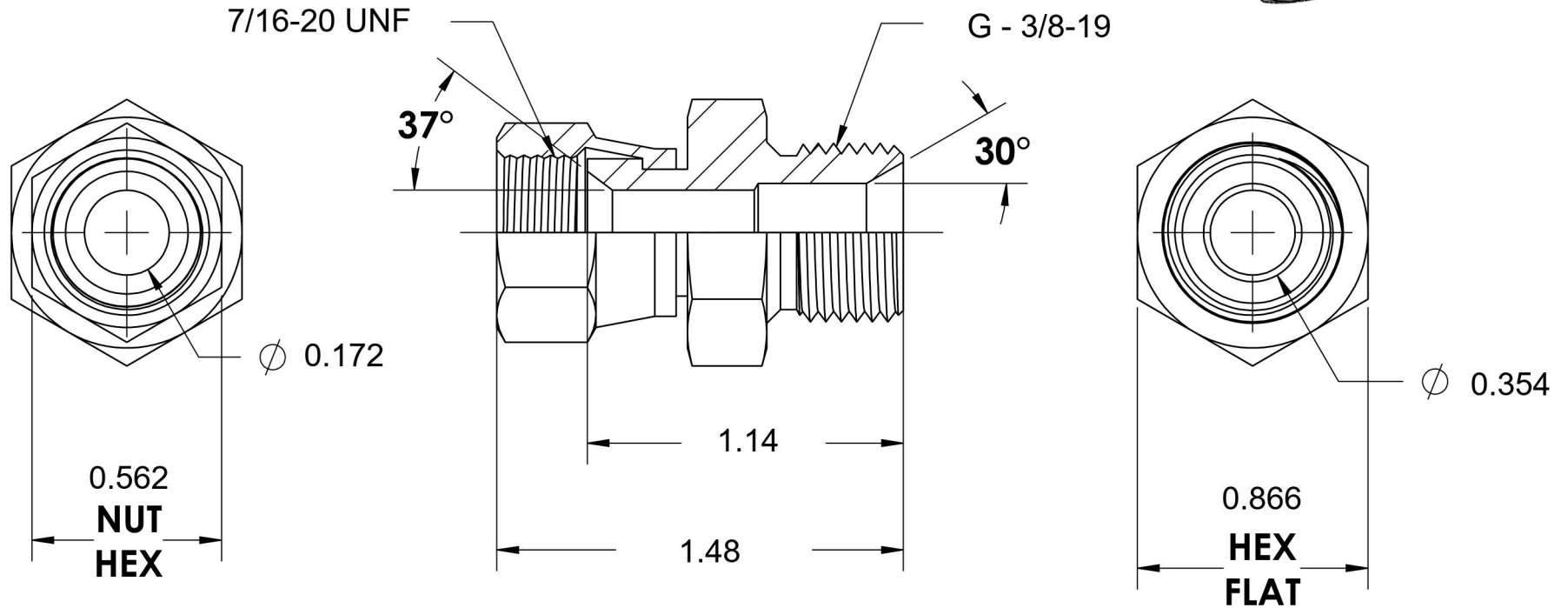


7022-04-06-SS

Stainless Steel, SAE J514 37° Flare Swivel Male BSPP Port/Line Connector, 1/4" Female JIC Swivel x 3/8-19 Male BSPP 60° Line/Port



6701 Cochran Road
Solon, Ohio 44139
Phone: (440) 248-1880
Toll Free: 1-888-331-1523

| | | | |
|---------------------------|--------------------------|---------------------------|---|
| Temperature Rating | Material | Industry Standards | Series |
| -425°F to 1200°F | 316/316L Stainless Steel | SAE J514, ISO 1179 | 7022-SS |
| Pressure Rating | Finish | ISO 8434-6 | Series Description |
| 5100 psi | Passivated | | SAE J514 37° Flare Swivel Male BSPP Port/Line Connector |