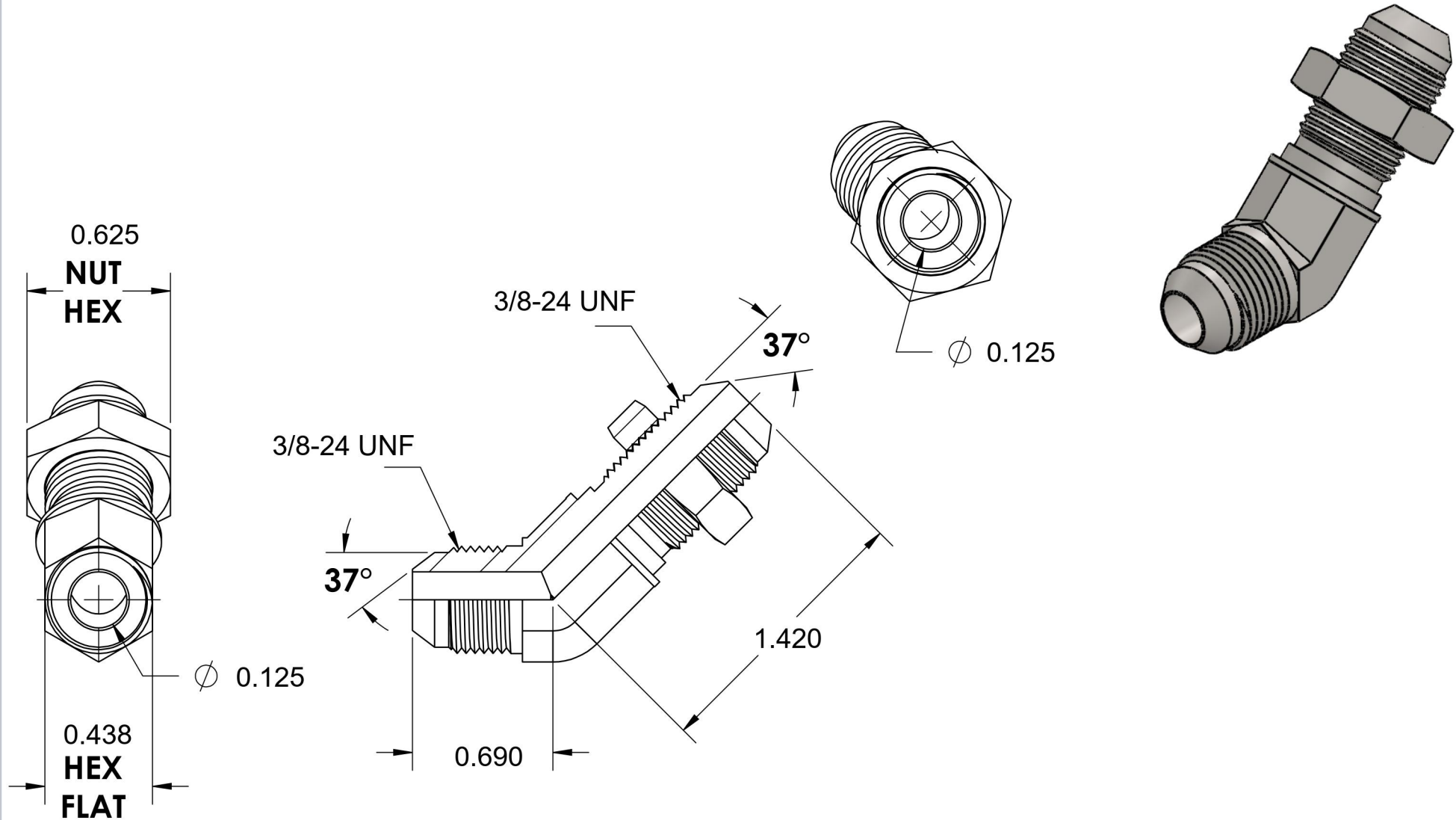


2702-LN-03-03-FG

Steel, SAE J514 37° Flare Bulkhead 45° Elbow With Lock Nut, 3/16" Male JIC x 3/16" Male JIC



6701 Cochran Road
Solon, Ohio 44139
Phone: (440) 248-1880
Toll Free: 1-888-331-1523

Temperature Rating

-65°F to 500°F

Pressure Rating

7500 PSI

Material

C1045 Steel

Finish

Trivalent Zinc

Industry Standards

SAE J514
ASTM B633

Series

2702-LN-FG

Series Description

SAE J514 37° Flare Bulkhead
45° Elbow With Lock Nut