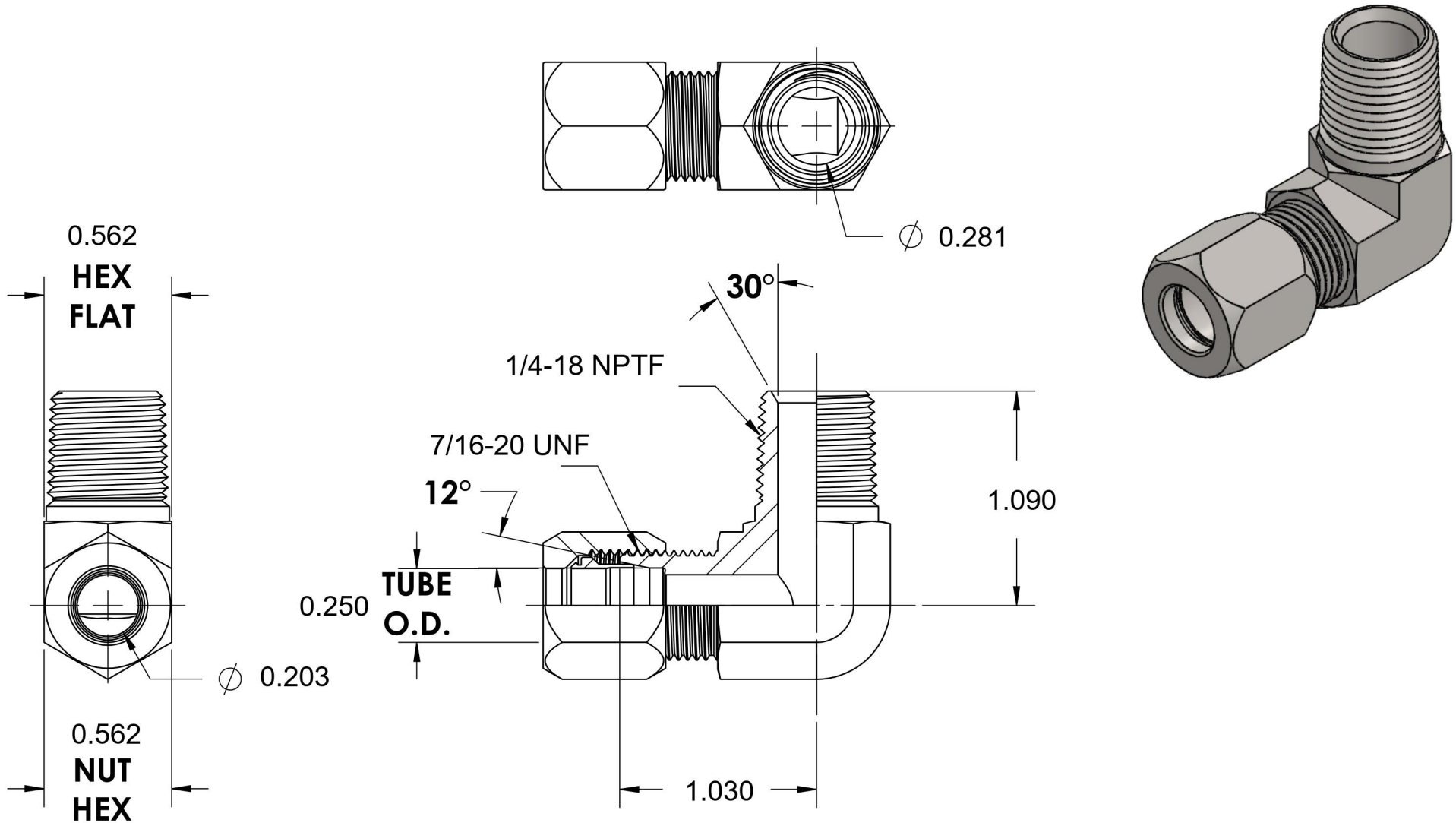


C2501-04-04-SS

Stainless Steel, SAE J514 Flareless Tube 90° Male Elbow, 1/4" Flareless Bite Type x 1/4" Male NPTF 30°



6701 Cochran Road
Solon, Ohio 44139
Phone: (440) 248-1880
Toll Free: 1-888-331-1523

Temperature Rating

-425°F to 1200°F

Pressure Rating

5000 psi

Material

316/316L Stainless Steel

Finish

Passivated

Industry Standards

SAE J514, SAE J476

Series

C2501-SS

Series Description

SAE J514 Flareless Tube
90° Male Elbow