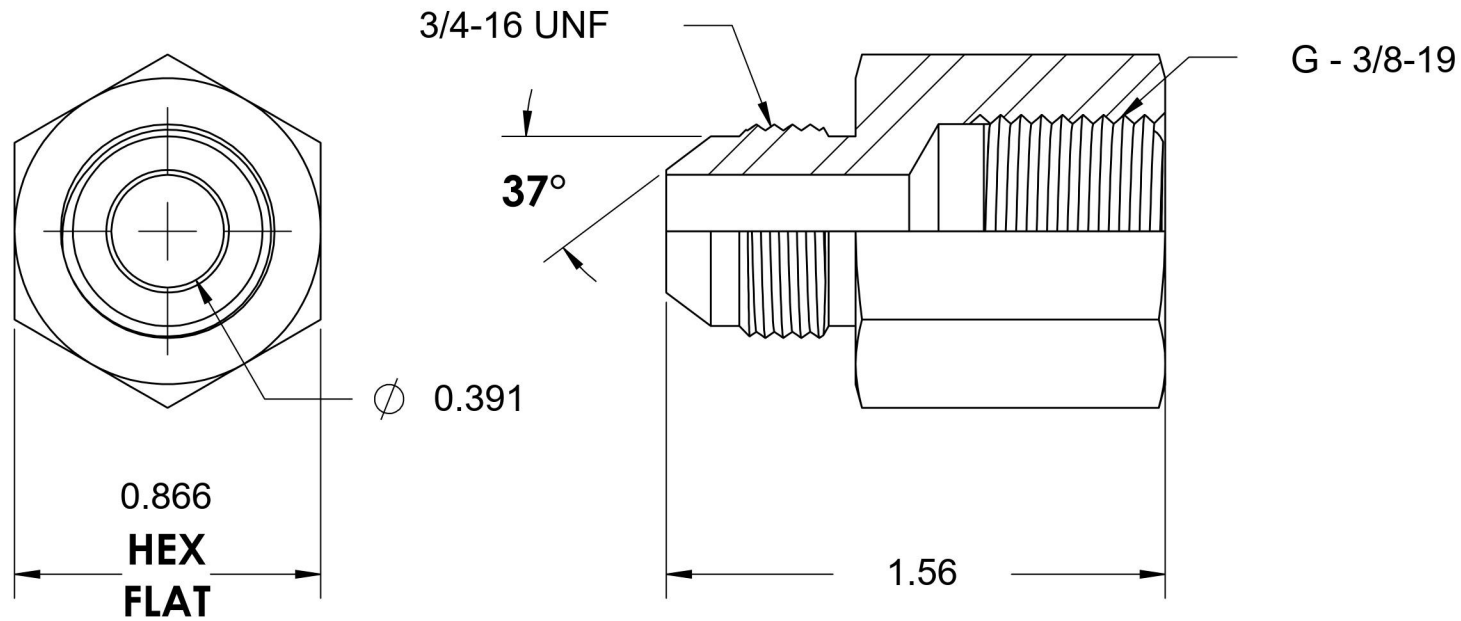
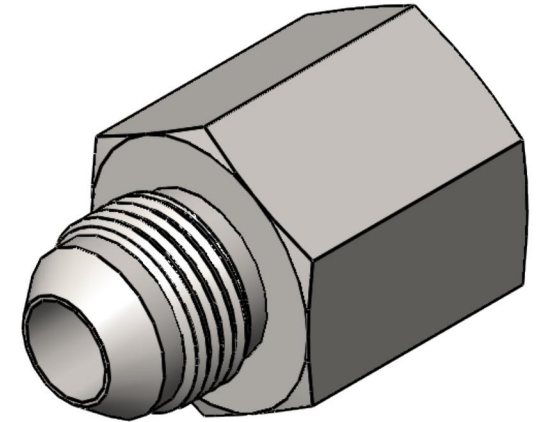


# 7003-08-06

## Steel, SAE J514 37° Flare Female BSPP Port Adapter, 1/2" Male JIC x 3/8-19 Female BSPP



6701 Cochran Road  
Solon, Ohio 44139  
Phone: (440) 248-1880  
Toll Free: 1-888-331-1523

**Temperature Rating**

-65°F to 500°F

**Material**

C1045/12L14 Steel

**Industry Standards**

SAE J514, ISO 1179

ASTM B633

**Series**

7003

**Series Description**

SAE J514 37° Flare  
Female BSPP Port Adapter

**Pressure Rating**

5000 psi

**Finish**

Trivalent Zinc