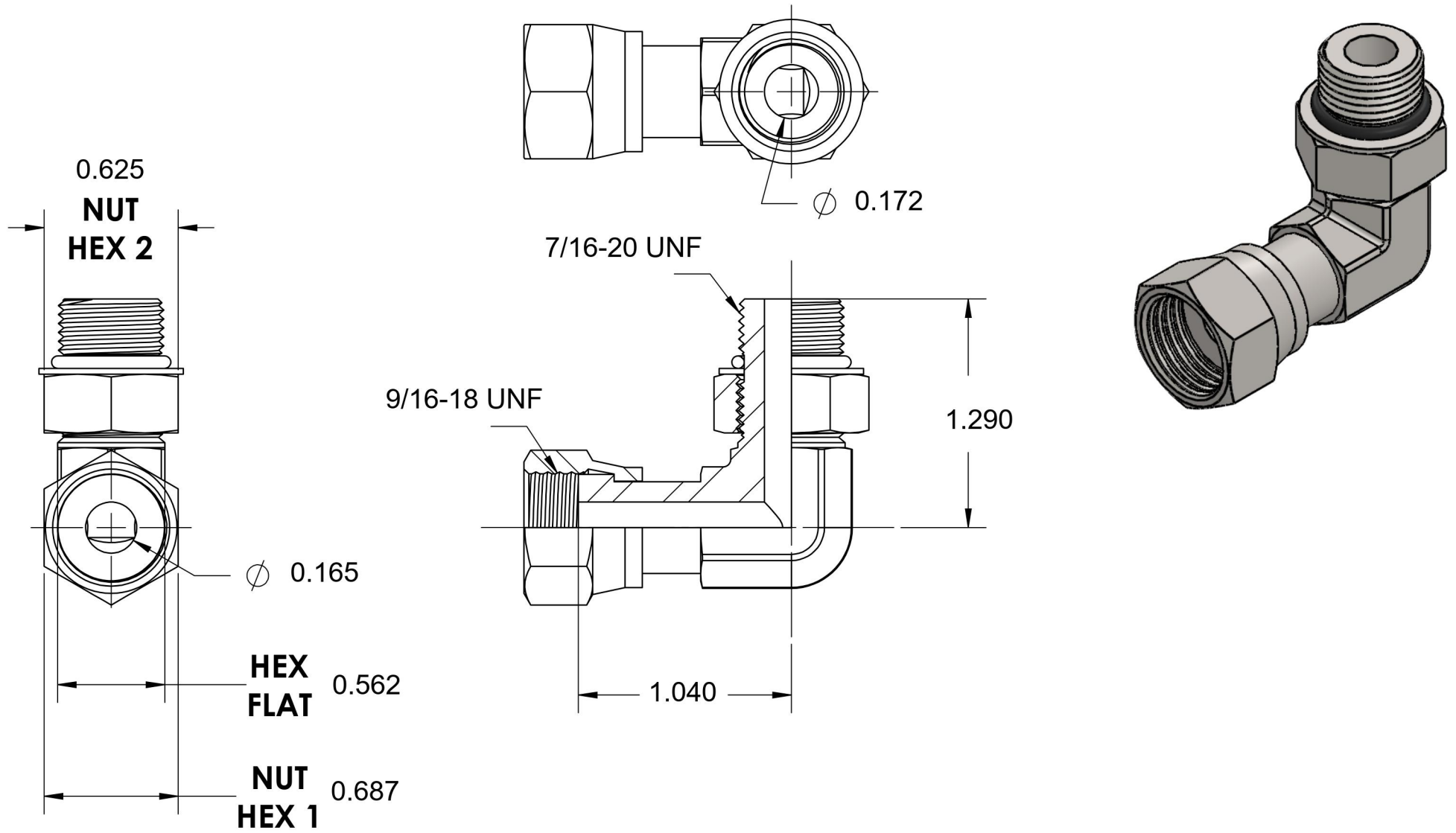


FS6809-04-04-NWO-FG

Steel, SAE J1453 O-Ring Face Seal Swivel 90° Adjustable Port Elbow, 1/4" Female ORFS Swivel x 7/16-20 Male Adjustable ORB



6701 Cochran Road
 Solon, Ohio 44139
 Phone: (440) 248-1880
 Toll Free: 1-888-331-1523

Temperature Rating	Material	Industry Standards	Series
-40°F to 250°F	C1045 Steel	SAE J1453, SAE J1926 ASTM B633	FS6809-NWO-FG
Pressure Rating	Finish		Series Description
6000psi	Trivalent Zinc		SAE J1453 O-Ring Face Seal Swivel 90° Adjustable Port Elbow