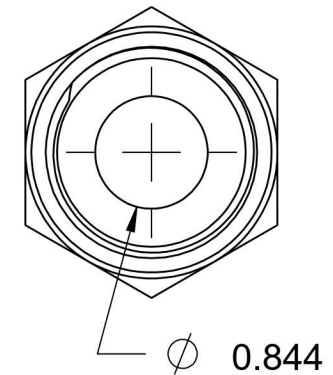
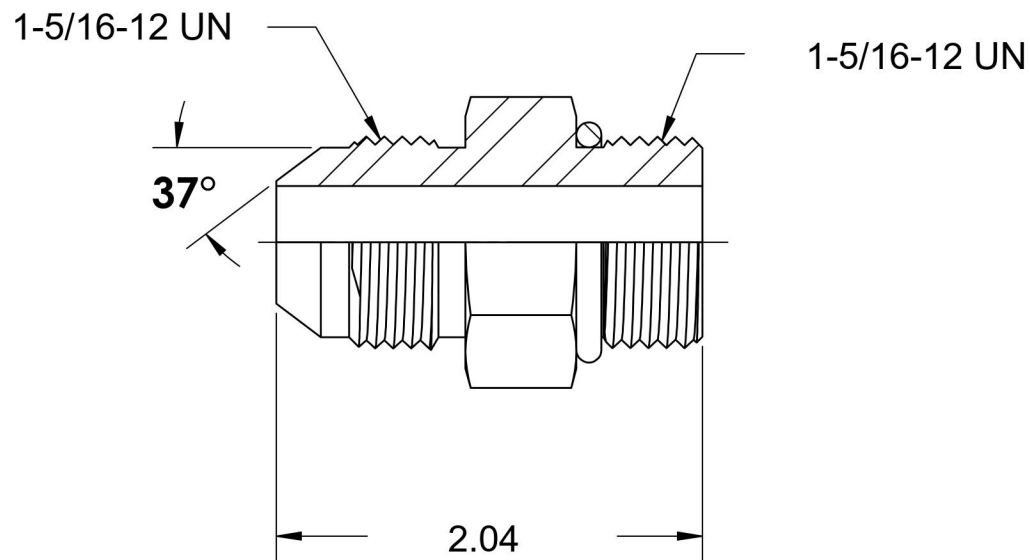
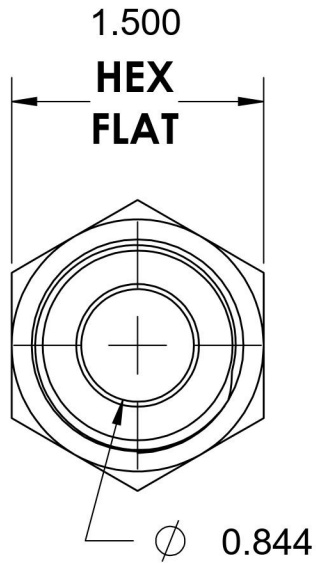
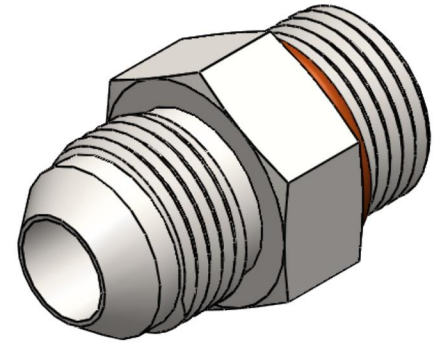


6400-16-16-O-SS-VITON

Stainless Steel, SAE J514 37° Flare Port Connector, 1" Male JIC x 1-5/16-12 Male ORB, FKM Seal



6701 Cochran Road
Solon, Ohio 44139
Phone: (440) 248-1880
Toll Free: 1-888-331-1523

Temperature Rating	Material	Industry Standards	Series
-15°F to 400°F	316/316L Stainless Steel	SAE J514, SAE J1926-3	6400-O-SS-VITON
Pressure Rating	Finish		Series Description
5400 psi	Passivated		SAE J514 37° Flare Port Connector