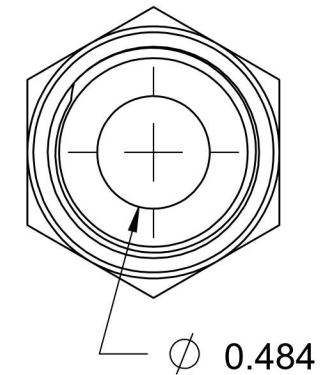
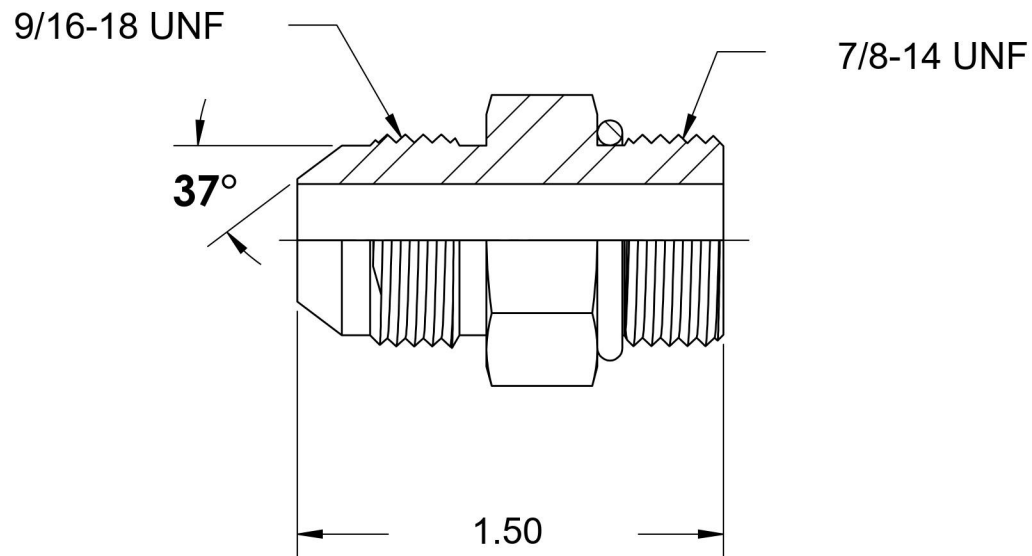
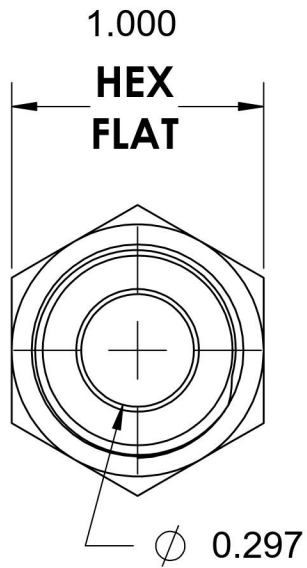
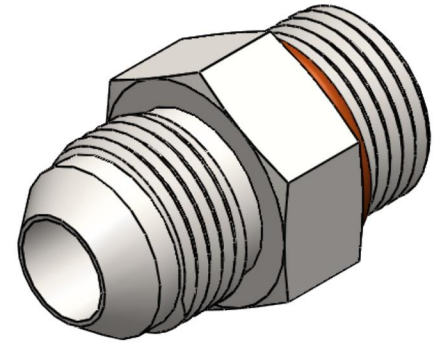


# 6400-06-10-O-VITON

Steel, SAE J514 37° Flare Port Connector, 3/8" Male JIC x 7/8-14 Male ORB, FKM Seal



6701 Cochran Road  
Solon, Ohio 44139  
Phone: (440) 248-1880  
Toll Free: 1-888-331-1523

<b>Temperature Rating</b> -15°F to 400°F	<b>Material</b> C1045 / 12L14 Steel	<b>Industry Standards</b> SAE J514, SAE J1926-3 ASTM B633	<b>Series</b> 6400-O-VITON
<b>Pressure Rating</b> 5000 psi	<b>Finish</b> Trivalent Zinc		<b>Series Description</b> SAE J514 37° Flare Port Connector