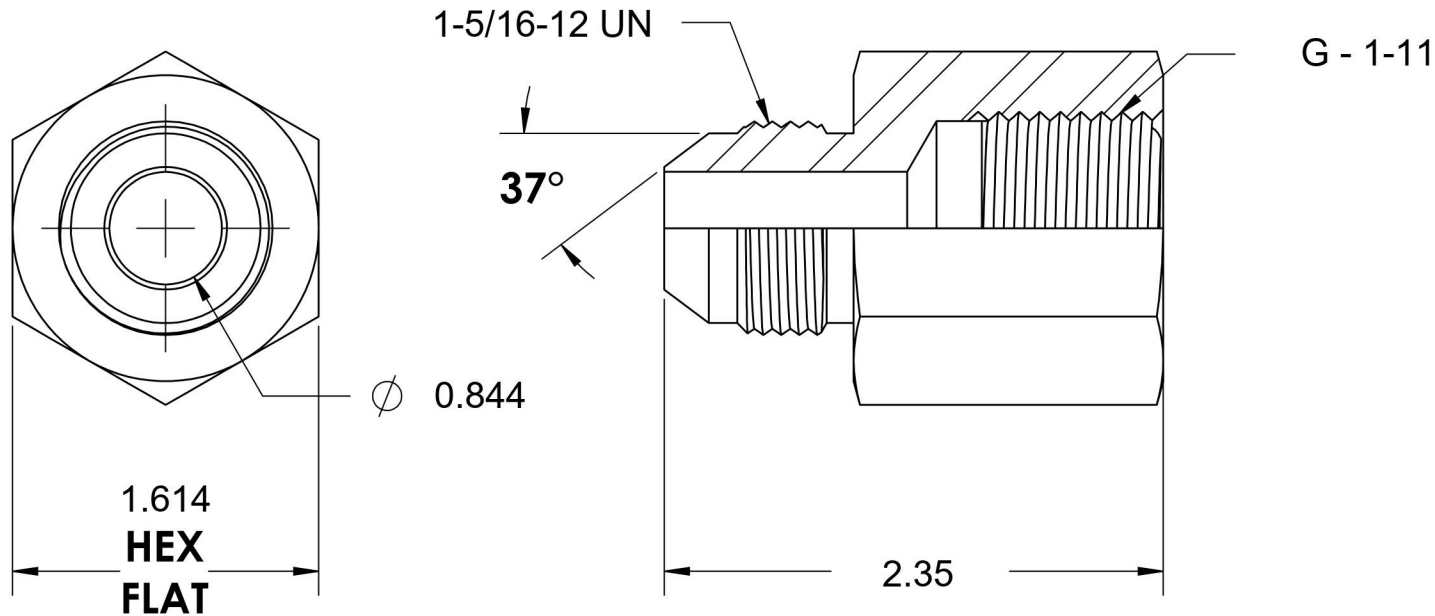
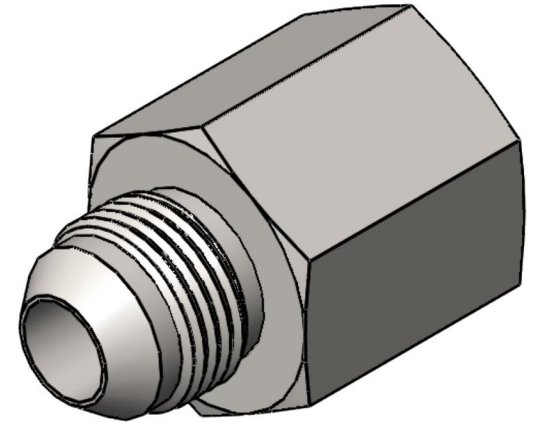


7003-16-16-SS

Stainless Steel, SAE J514 37° Flare Female BSPP Port Adapter, 1" Male JIC x 1-11 Female BSPP



6701 Cochran Road
Solon, Ohio 44139
Phone: (440) 248-1880
Toll Free: 1-888-331-1523

Temperature Rating -425°F to 1200°F	Material 316/316L Stainless Steel	Industry Standards SAE J514, ISO 1179	Series 7003-SS
Pressure Rating 4000 psi	Finish Passivated		Series Description SAE J514 37° Flare Female BSPP Port Adapter