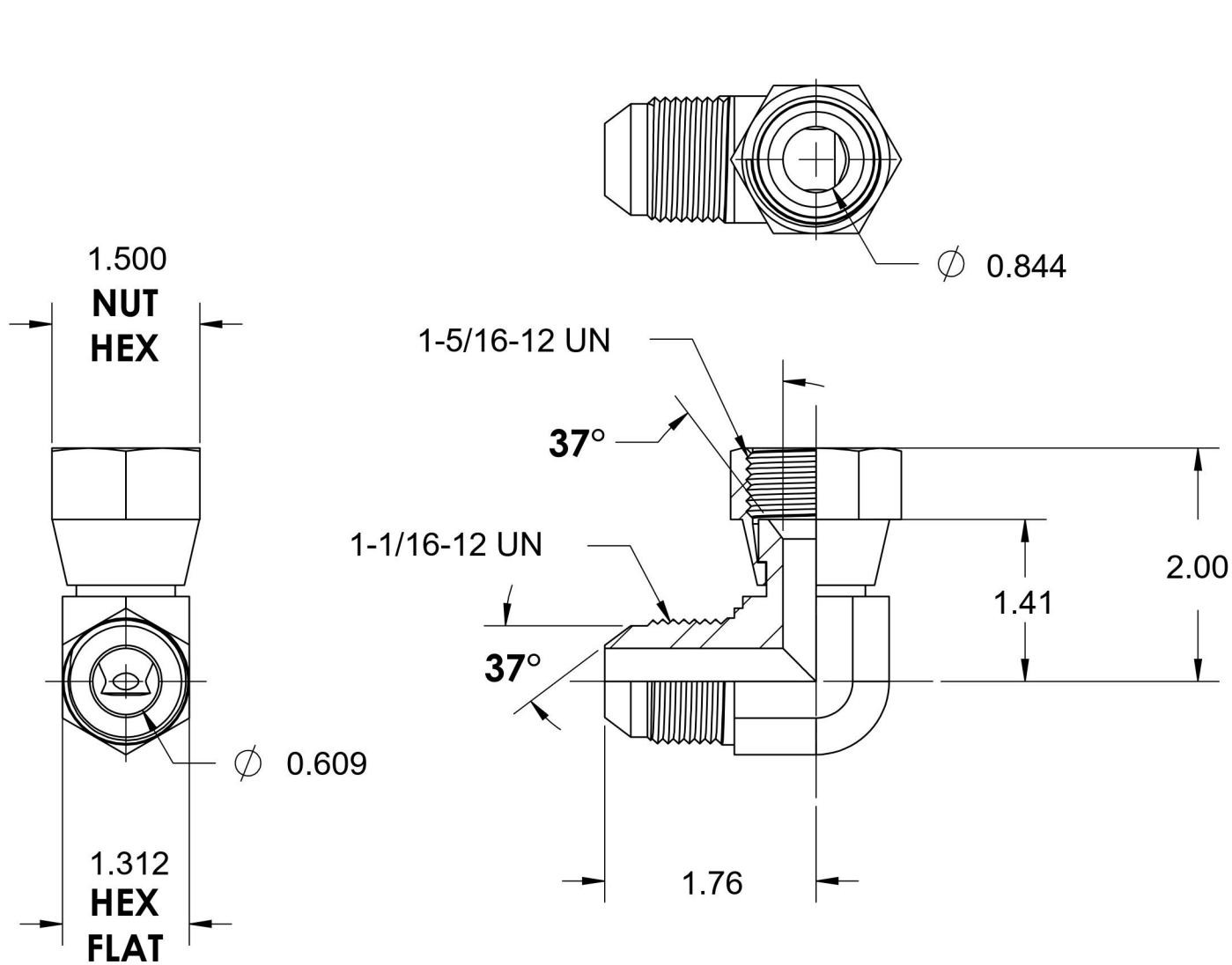


# 6500-12-16-FG

Steel, SAE J514 37° Flare 90° Swivel Elbow, 3/4" Male JIC x 1" Female JIC Swivel



6701 Cochran Road  
Solon, Ohio 44139  
Phone: (440) 248-1880  
Toll Free: 1-888-331-1523

|                           |                 |                           |  |
|---------------------------|-----------------|---------------------------|--|
| <b>Temperature Rating</b> | <b>Material</b> | <b>Industry Standards</b> | <b>Series</b>                          |
| -65°F to 500°F            | C1045 Steel     | SAE J514, ASTM B633       | 6500-FG                                |
| <b>Pressure Rating</b>    | <b>Finish</b>   |                           | <b>Series Description</b>              |
| 4000 psi                  | Trivalent Zinc  |                           | SAE J514 37° Flare<br>90° Swivel Elbow |