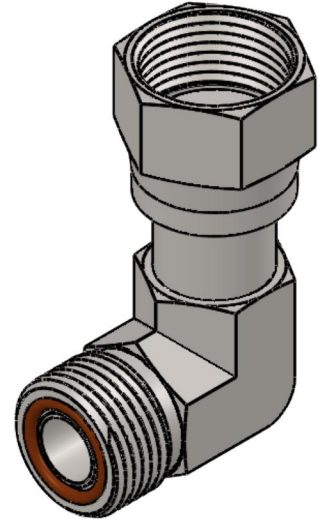
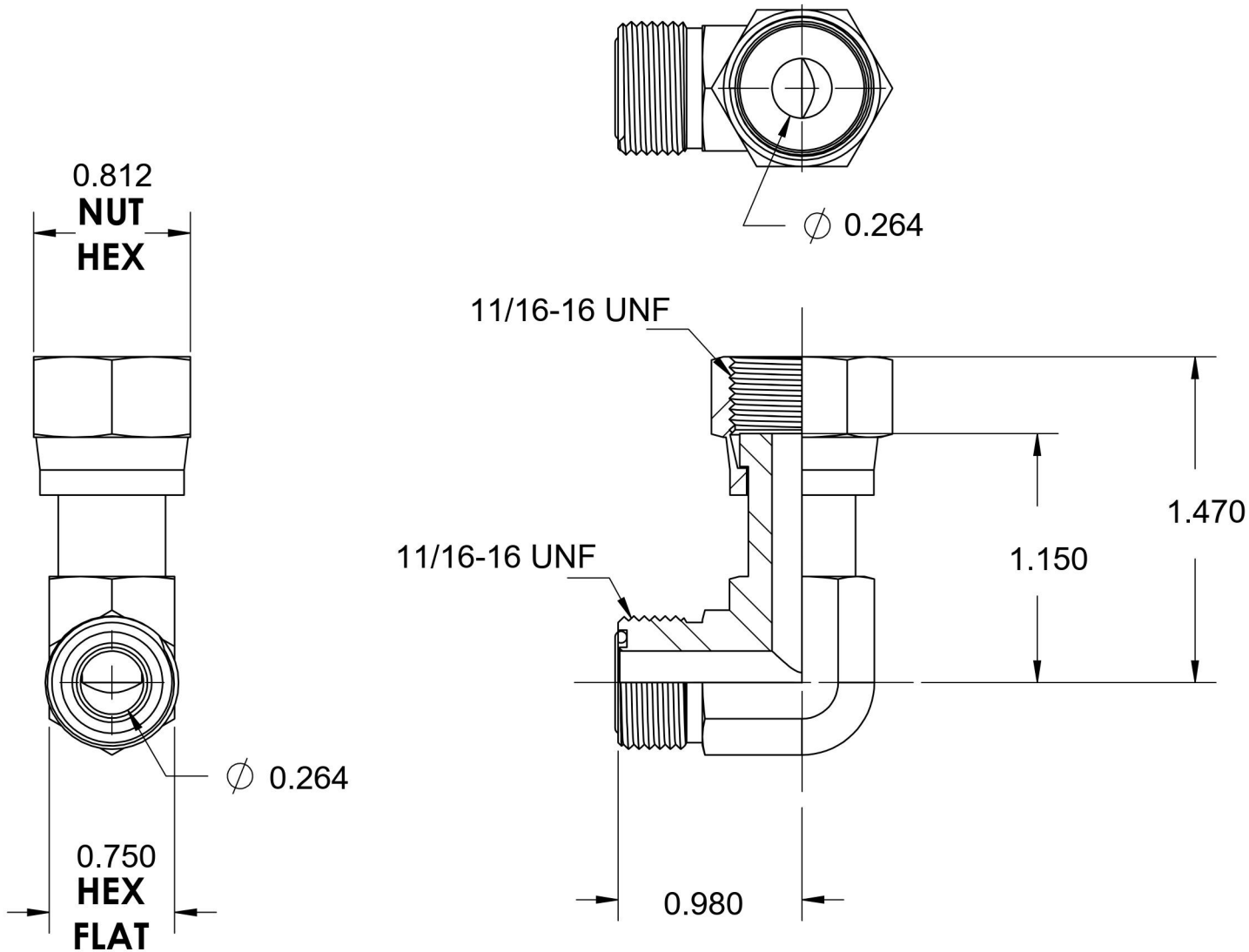


# FS6500-06-06-FG-VITON

Steel, SAE J1453 O-Ring Face Seal 90° Swivel Elbow, 3/8" Male ORFS x 3/8" Female ORFS Swivel, FKM Seal



6701 Cochran Road  
Solon, Ohio 44139  
Phone: (440) 248-1880  
Toll Free: 1-888-331-1523

#### Temperature Rating

-15°F to 400°F

#### Pressure Rating

9200 psi

#### Material

C1045 Steel

#### Finish

Trivalent Zinc

#### Industry Standards

SAE J1453, SAE J515  
ASTM B633

#### Series

FS6500-FG-VITON

#### Series Description

SAE J1453 O-Ring Face Seal  
90° Swivel Elbow