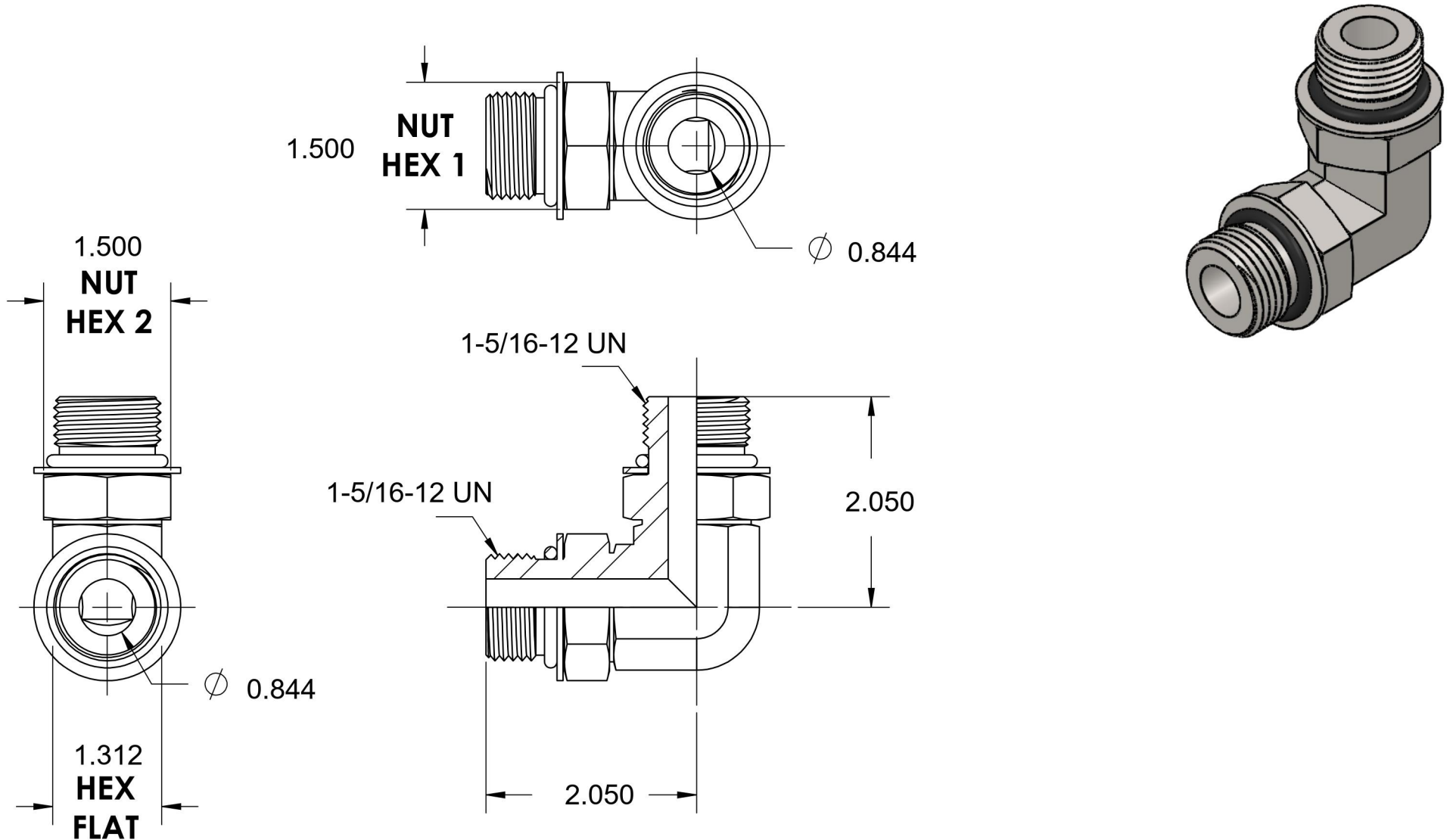


# 6807-16-16-NWO-FG

Steel, SAE J1926 Adjustable O-Ring Boss 90° Adjustable Port Elbow, 1-5/16-12 Male Adjustable ORB x 1-5/16-12 Male Adjustable ORB



6701 Cochran Road  
Solon, Ohio 44139  
Phone: (440) 248-1880  
Toll Free: 1-888-331-1523

|                           |                 |                           |   |
|---------------------------|-----------------|---------------------------|---|
| <b>Temperature Rating</b> | <b>Material</b> | <b>Industry Standards</b> | <b>Series</b>   |
| -40°F / 250°F             | C1045 Steel     | SAE J1926-3, ASTM B633    | 6807-NWO-FG   |
| <b>Pressure Rating</b>    | <b>Finish</b>   |                           | <b>Series Description</b>                                     |
| 4000psi                   | Trivalent Zinc  |                           | SAE J1926 Adjustable O-Ring Boss<br>90° Adjustable Port Elbow |