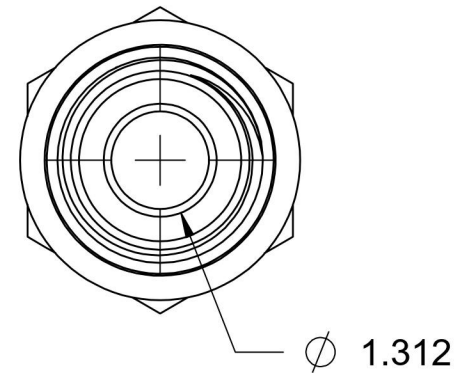
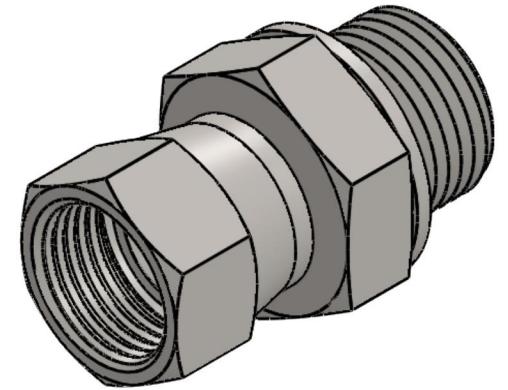
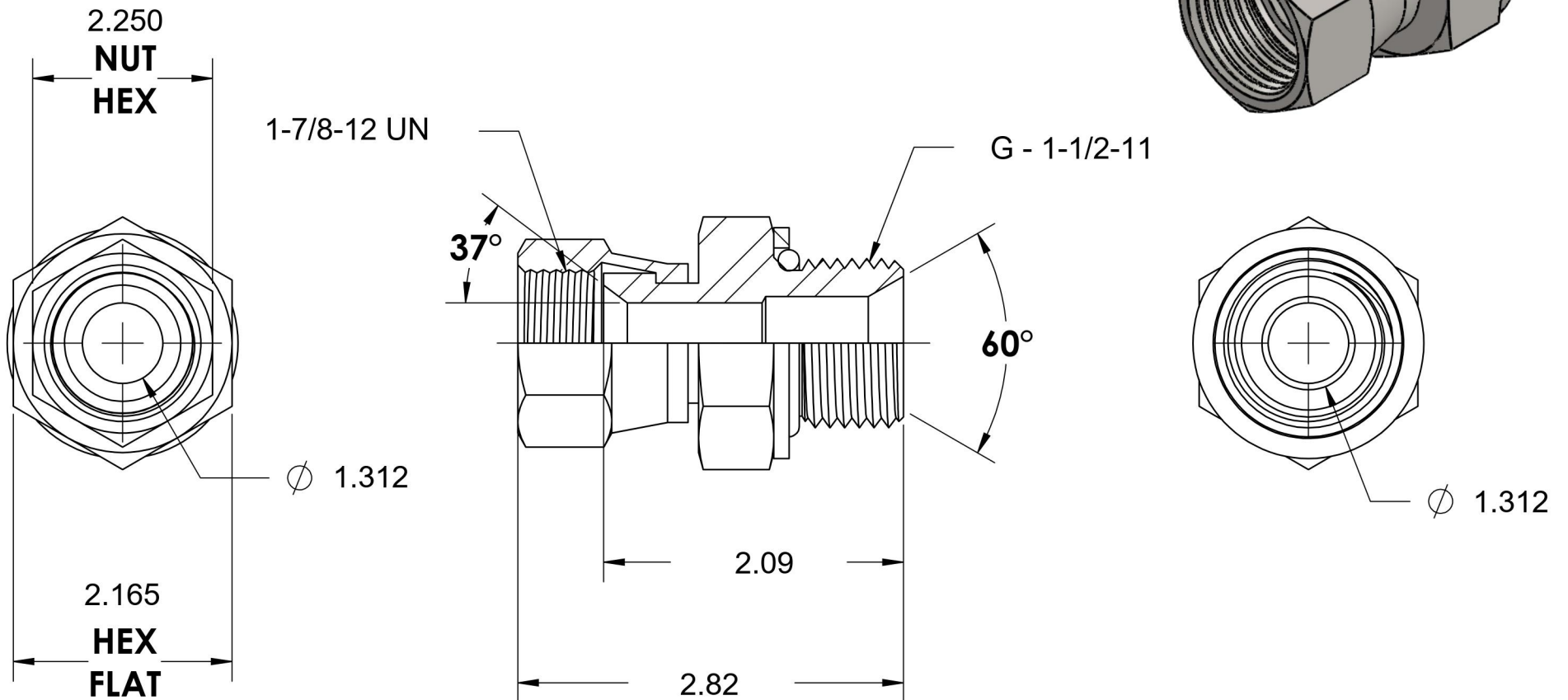


7022-24-24-ORR

Steel, SAE J514 37° Flare Swivel Male BSPP (Type G) Port Connector, 1-1/2" Female JIC Swivel x 1-1/2-11 Male BSPP ORR



6701 Cochran Road
Solon, Ohio 44139
Phone: (440) 248-1880
Toll Free: 1-888-331-1523

Temperature Rating

-40°F to 250°F

Pressure Rating

3000 psi

Material

C1045 / 12L14 Steel

Finish

Trivalent Zinc

Industry Standards

SAE J514, ISO 1179

ASTM B633

Series

7022-ORR

Series Description

SAE J514 37° Flare Swivel Male
BSPP (Type G) Port Connector