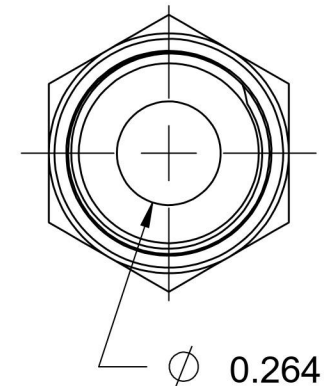
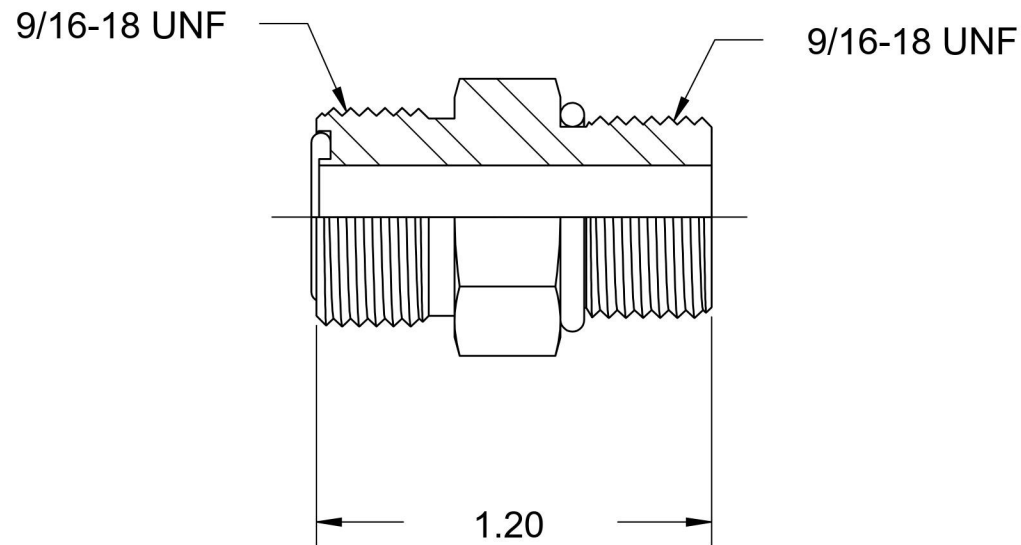
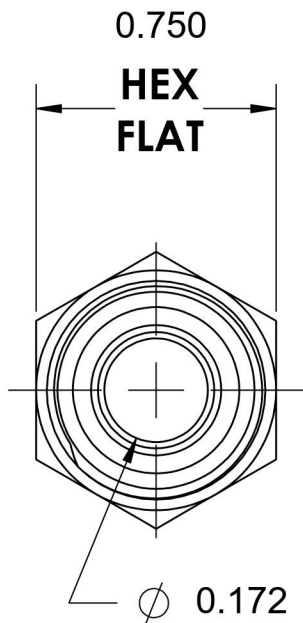


# FS6400-04-06-O

Steel, SAE J1453 O-Ring Face Seal Port Connector, 1/4" Male ORFS x 9/16-18 Male ORB



6701 Cochran Road  
Solon, Ohio 44139  
Phone: (440) 248-1880  
Toll Free: 1-888-331-1523

**Temperature Rating**

-40°F to 250°F

**Pressure Rating**

9200 psi

**Material**

C1045 / 12L14 Steel

**Finish**

Trivalent Zinc

**Industry Standards**

SAE J1453, SAE J1926-2  
ASTM B633

**Series**

FS6400-O

**Series Description**

SAE J1453 O-Ring Face Seal  
Port Connector