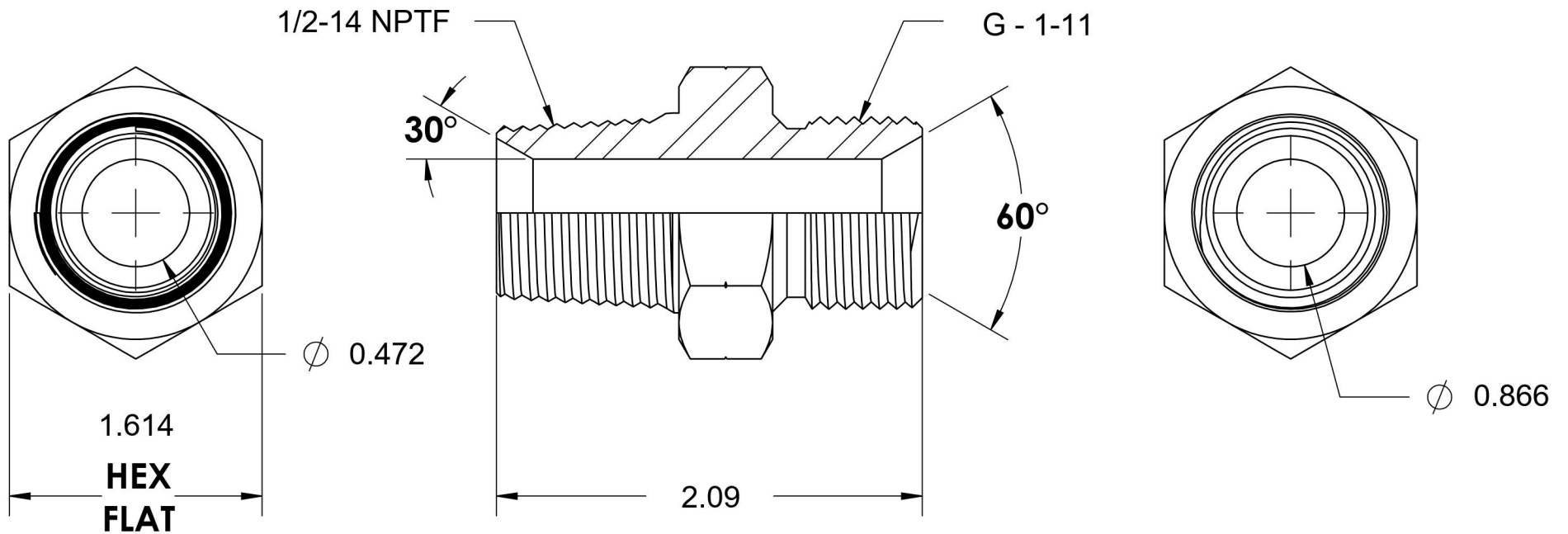


7032-08-16-SS

Stainless Steel, SAE J476 Pipe Male BSPP Port/Line Adapter, 1/2" Male NPTF 30° x 1-11 Male BSPP 60° Line/Port



6701 Cochran Road
Solon, Ohio 44139
Phone: (440) 248-1880
Toll Free: 1-888-331-1523

Temperature Rating	Material	Industry Standards	Series
-425°F to 1200°F	316/316L Stainless Steel	SAE J476, ISO 1179	7032-SS
Pressure Rating	Finish		Series Description
1700 psi	Passivated		SAE J476 Pipe Male BSPP Port/Line Adapter