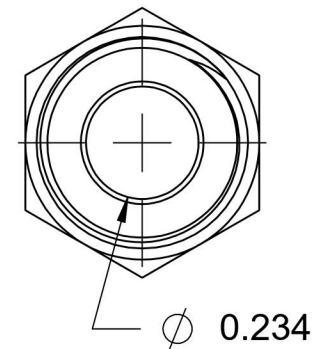
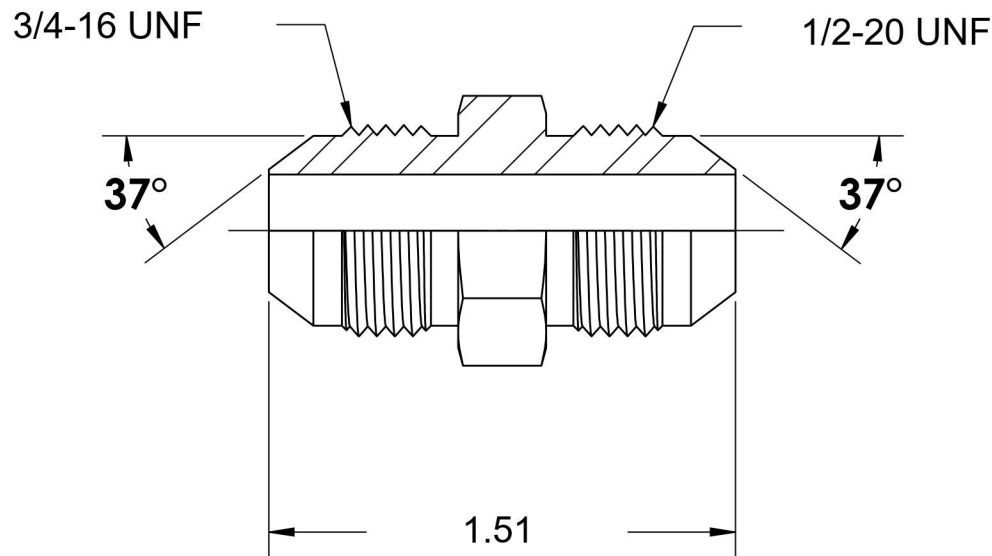
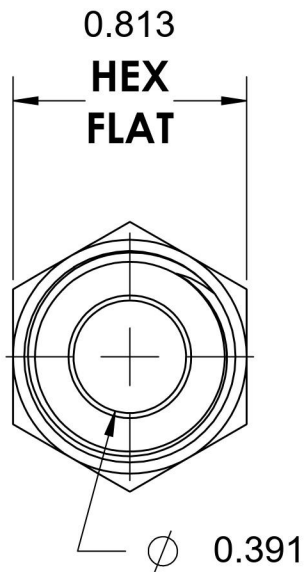


# 2403-08-05

Steel, SAE J514 37° Flare Union, 1/2" Male JIC x 5/16" Male JIC



6701 Cochran Road  
Solon, Ohio 44139  
Phone: (440) 248-1880  
Toll Free: 1-888-331-1523

|   |                                      |  |   |
|---|--------------------------------------|--|---|
| <b>Temperature Rating</b><br>-65°F to 500°F | <b>Material</b><br>C1045/12L14 Steel | <b>Industry Standards</b><br>SAE J514, ASTM B633 | <b>Series</b><br>2403                                 |
| <b>Pressure Rating</b><br>6000 psi          | <b>Finish</b><br>Trivalent Zinc      |  | <b>Series Description</b><br>SAE J514 37° Flare Union |