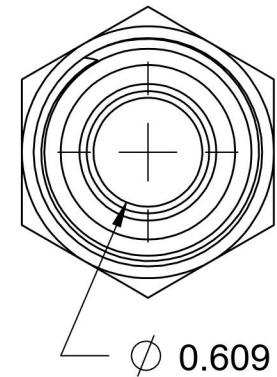
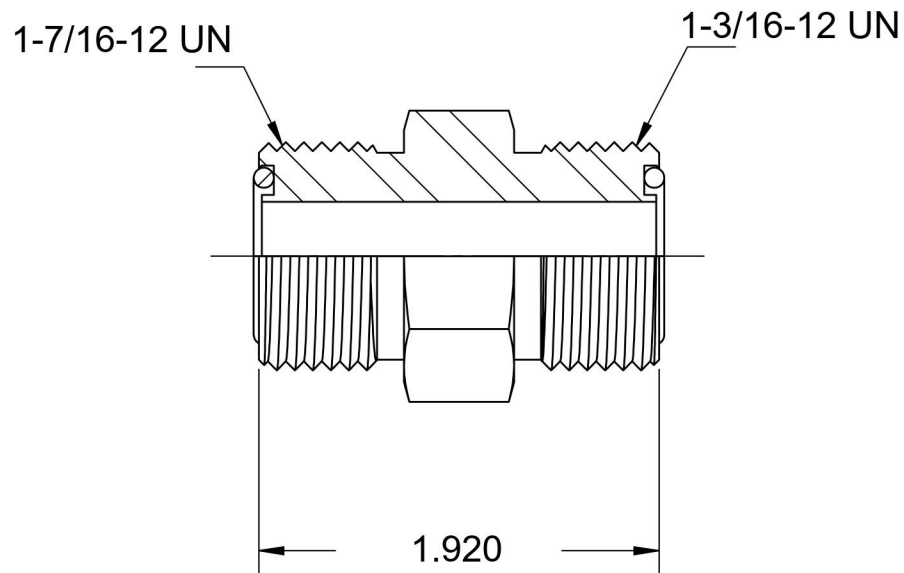
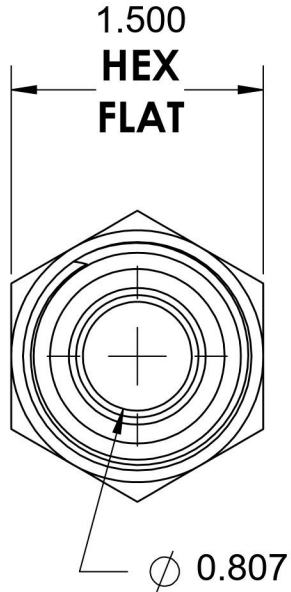
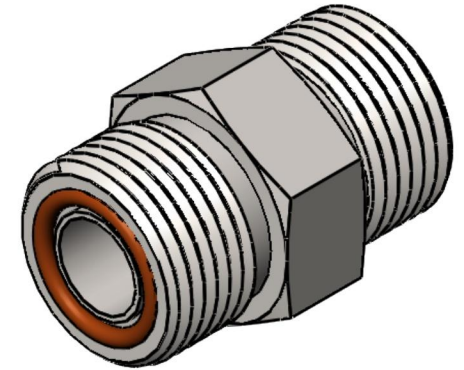


# FS2403-16-12-VITON

Steel, SAE J1453 O-Ring Face Seal Union, 1" Male ORFS x 3/4" Male ORFS, FKM Seal



6701 Cochran Road  
Solon, Ohio 44139  
Phone: (440) 248-1880  
Toll Free: 1-888-331-1523

**Temperature Rating**

-15°F to 400°F

**Pressure Rating**

6000 psi

**Material**

C1045/12L14 Steel

**Finish**

Trivalent Zinc

**Industry Standards**

SAE J1453, SAE J515  
ASTM B633

**Series**

FS2403-VITON

**Series Description**

SAE J1453 O-Ring Face Seal Union