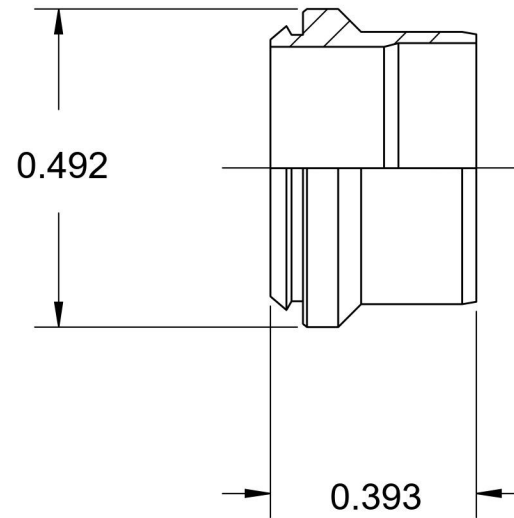
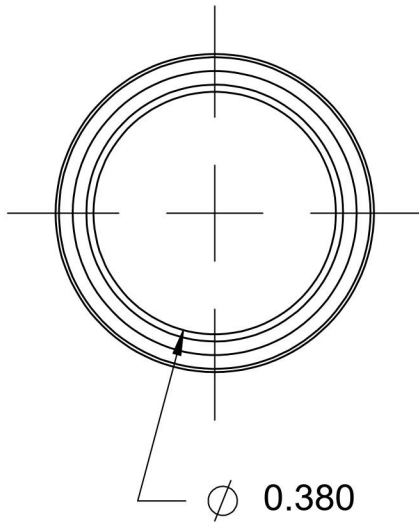


# C0319-06

Steel, SAE J514 Flareless Tube Ferrule, 3/8" Flareless Bite Type Sleeve Type A



6701 Cochran Road  
Solon, Ohio 44139  
Phone: (440) 248-1880  
Toll Free: 1-888-331-1523

|   |  |  |  |
|---|--|--|--|
| <b>Temperature Rating</b><br>-65°F to 500°F | <b>Material</b><br>Low Carbon Steel                        | <b>Industry Standards</b><br>SAE J514, AMS 2769<br>MIL-DTL-16236, ASTM-F1137 | <b>Series</b><br>C0319                                       |
| <b>Pressure Rating</b><br>Not Available     | <b>Finish</b><br>Zinc Phosphate<br>Heat Treat per AMS 2769 |  | <b>Series Description</b><br>SAE J514 Flareless Tube Ferrule |