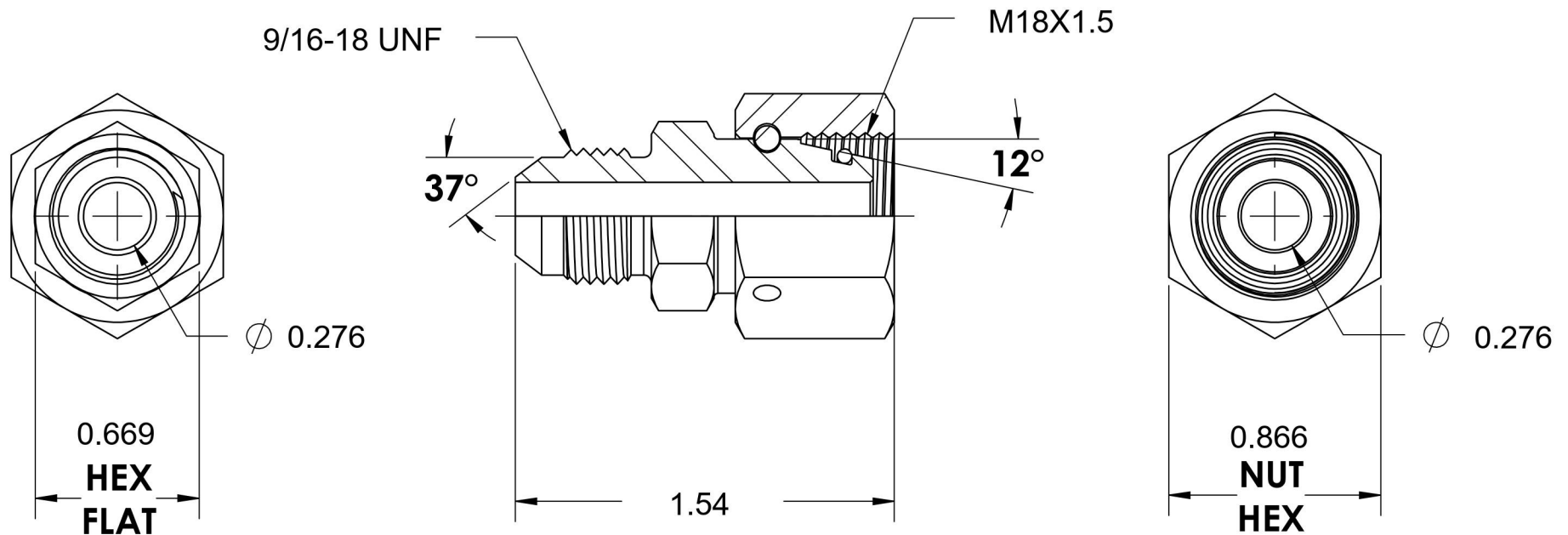


# 7007-06-L12-18

Steel, SAE J514 37° Flare DIN (L) Swivel Adapter, 3/8" Male JIC x M18X1.5 Female DKO Swivel



6701 Cochran Road  
Solon, Ohio 44139  
Phone: (440) 248-1880  
Toll Free: 1-888-331-1523

|                           |                     |                           |  |
|---------------------------|---------------------|---------------------------|--|
| <b>Temperature Rating</b> | <b>Material</b>     | <b>Industry Standards</b> | <b>Series</b>                                |
| -40°F to 250°F            | C1045 / 12L14 Steel | SAE J514, ISO 8434-1      | 7007-DIN LIGHT                               |
| <b>Pressure Rating</b>    | <b>Finish</b>       | DIN 2353, ASTM B633       | <b>Series Description</b>                    |
| 4500 psi                  | Trivalent Zinc      |                           | SAE J514 37° Flare<br>DIN (L) Swivel Adapter |