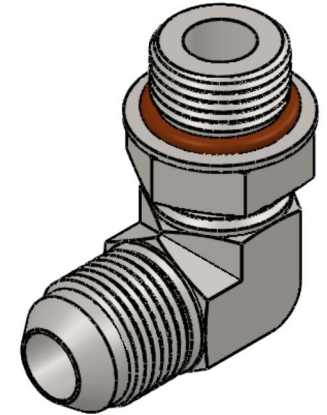
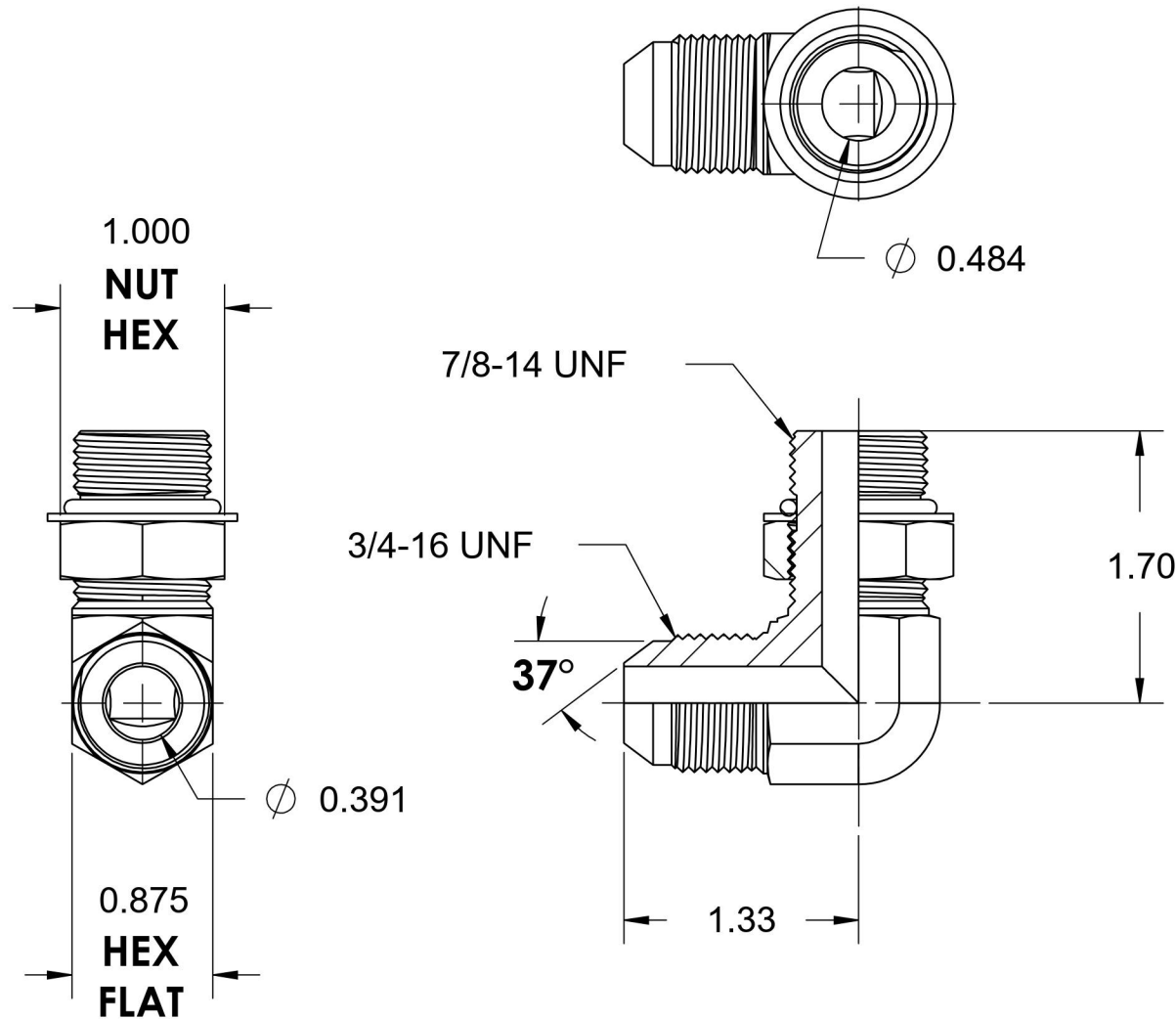


6801-08-10-NWO-SS-VITON

Stainless Steel, SAE J514 37° Flare 90° Adjustable Port Elbow, 1/2" Male JIC x 7/8-14 Male Adjustable ORB, FKM Seal



6701 Cochran Road
Solon, Ohio 44139
Phone: (440) 248-1880
Toll Free: 1-888-331-1523

| | | | |
|--|---|--|--|
| Temperature Rating -15°F / 400°F | Material 316/316L Stainless Steel | Industry Standards SAE J514, SAE J1926-3 | Series 6801-NWO-SS-VITON |
| Pressure Rating 5400 psi | Finish Passivated | | Series Description SAE J514 37° Flare 90° Adjustable Port Elbow |