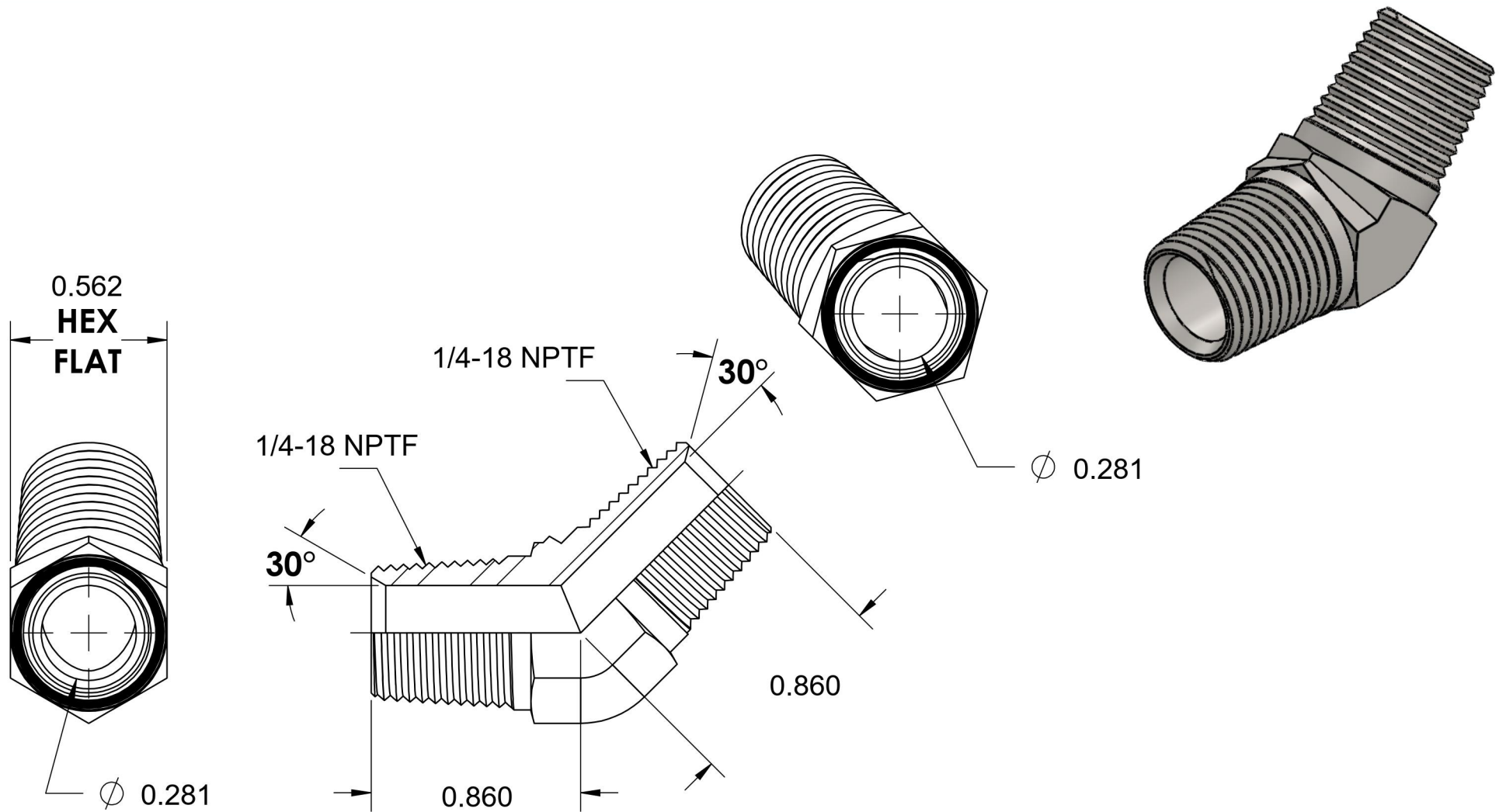


# 5501-04-04-SS

Stainless Steel, SAE J514 Pipe 45° Male Elbow, 1/4" Male NPTF 30° x 1/4" Male NPTF 30°



6701 Cochran Road  
Solon, Ohio 44139  
Phone: (440) 248-1880  
Toll Free: 1-888-331-1523

<b>Temperature Rating</b> -425°F to 1200°F	<b>Material</b> 316/316L Stainless	<b>Industry Standards</b> SAE J514 , SAE J476	<b>Series</b> 5501-FG
<b>Pressure Rating</b> 6000psi	<b>Finish</b> Passivation		<b>Series Description</b> SAE J514 Pipe 45° Male Elbow