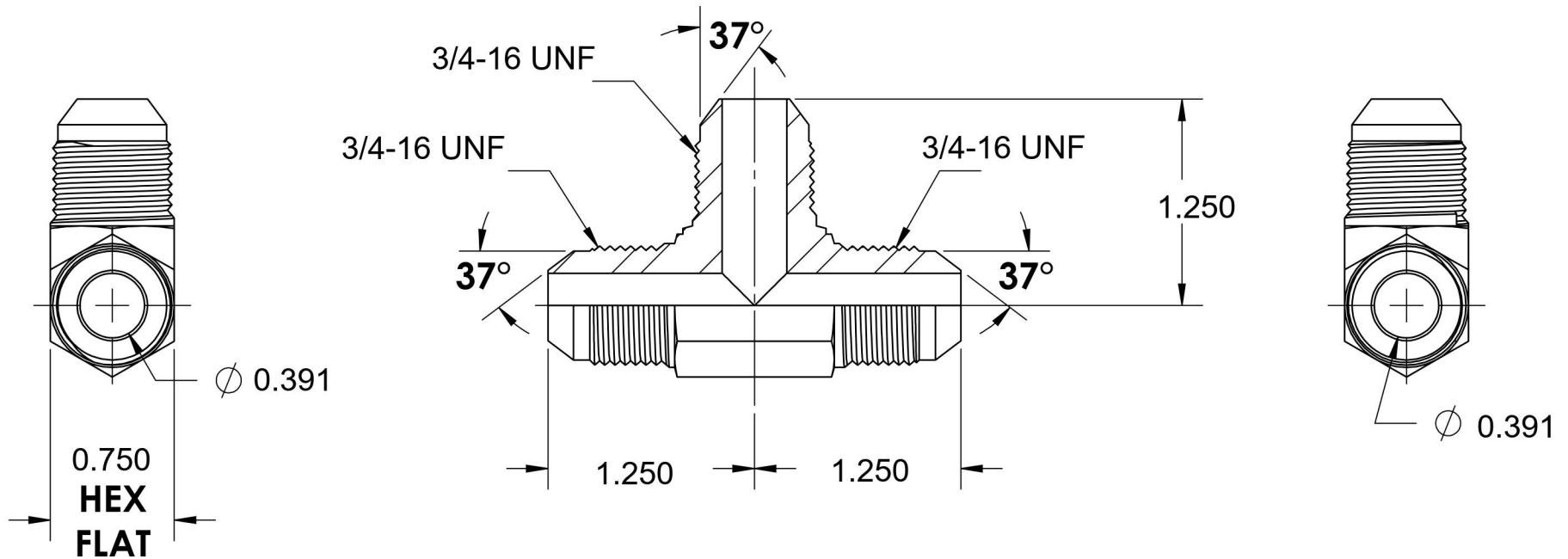
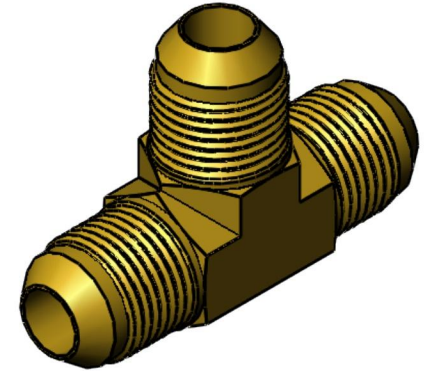
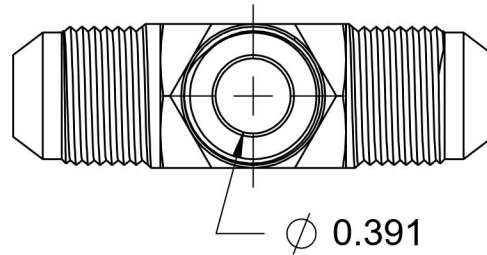


# 2603-08-08-08-B

## Brass, SAE J514 37° Flare Union Tee, 1/2" Male JIC



6701 Cochran Road  
Solon, Ohio 44139  
Phone: (440) 248-1880  
Toll Free: 1-888-331-1523

<b>Temperature Rating</b>	<b>Material</b>	<b>Industry Standards</b>	<b>Series</b>
-325°F to 400°F	CA37700 Brass	SAE J514	2603-B
<b>Pressure Rating</b>	<b>Finish</b>		<b>Series Description</b>
3300 psi	Natural Finish		SAE J514 37° Flare Union Tee