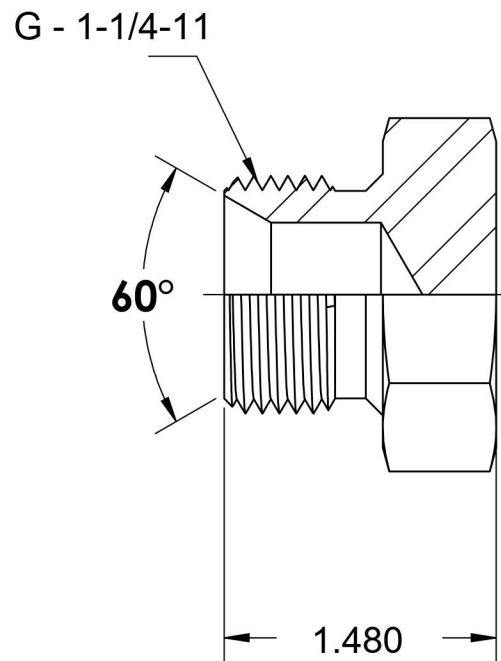
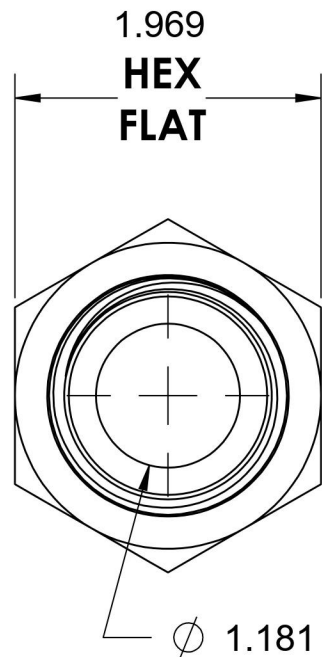
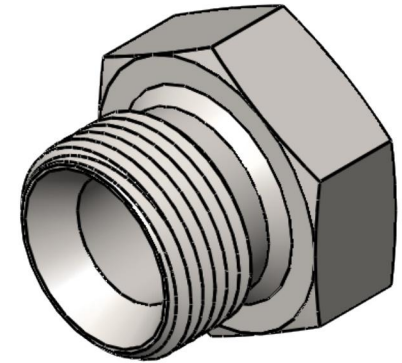


9522-P-20

Steel, ISO 1179 BSPP Hex Head Port Plug, 1-1/4-11 Male BSPP 60° Line/Port



6701 Cochran Road
Solon, Ohio 44139
Phone: (440) 248-1880
Toll Free: 1-888-331-1523

Temperature Rating -65°F to 500°F	Material C1045/12L14 Steel	Industry Standards ISO 1179, ASTM B633	Series 9522-P
Pressure Rating 1500 psi	Finish Trivalent Zinc		Series Description ISO 1179 BSPP Hex Head Port Plug