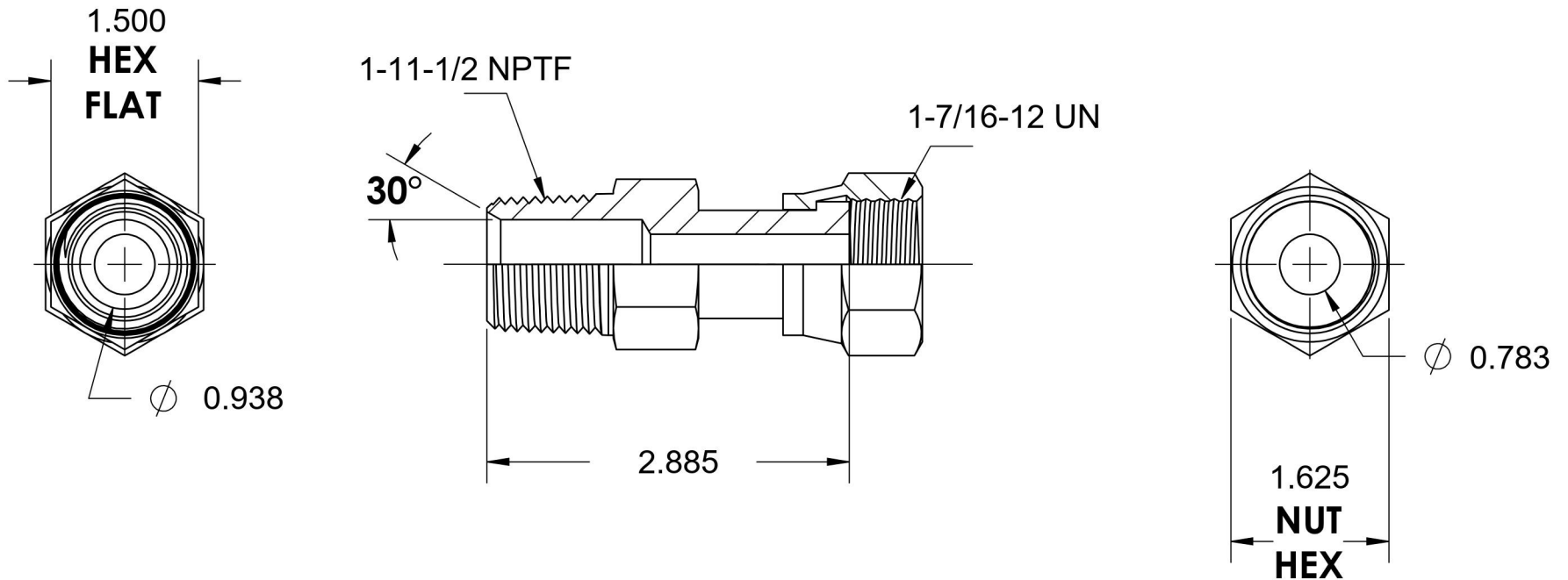
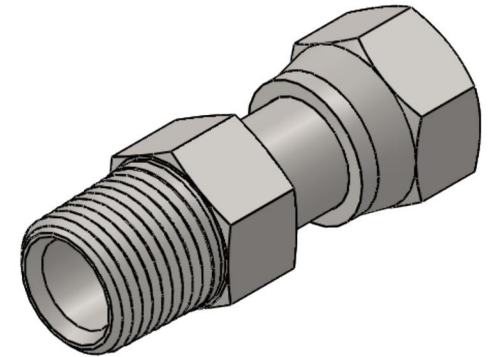


FS6505-16-16

Steel, SAE J1453 O-Ring Face Seal Swivel Male Connector, 1" Male NPTF 30° x 1" Female ORFS Swivel



6701 Cochran Road
Solon, Ohio 44139
Phone: (440) 248-1880
Toll Free: 1-888-331-1523

Temperature Rating	Material	Industry Standards	Series
-65°F to 500°F	C1045/12L14 Steel	SAE J514, SAE J1453 ASTM B633	FS6505
Pressure Rating	Finish		Series Description
4500psi	Trivalent Zinc		SAE J1453 O-Ring Face Seal Swivel Male Connector