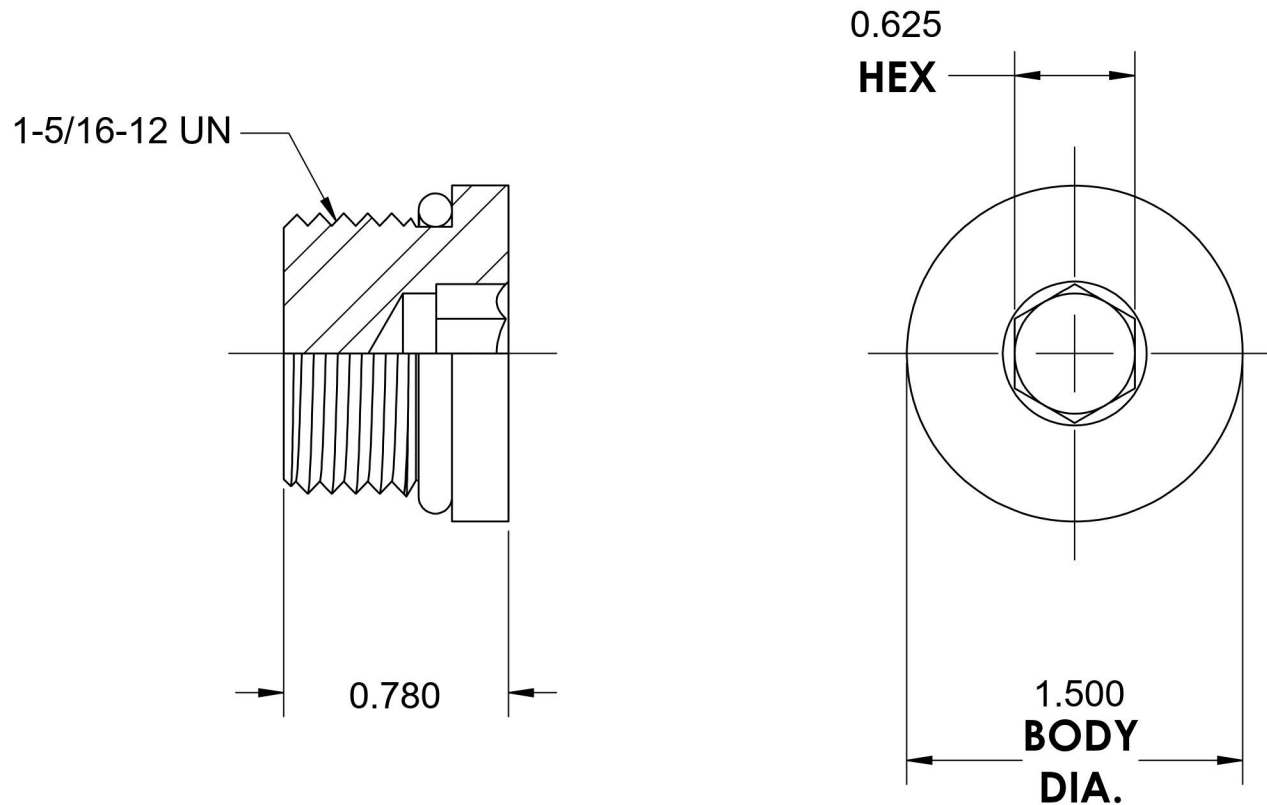
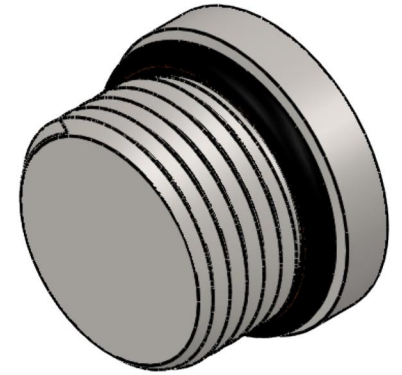


# 6408-H16-O-SS

Stainless Steel, SAE J1926 O-Ring Boss Hollow Hex Plug, 1-5/16-12 Male ORB



6701 Cochran Road  
Solon, Ohio 44139  
Phone: (440) 248-1880  
Toll Free: 1-888-331-1523

|   |   |  |   |
|---|---|--|---|
| <b>Temperature Rating</b><br>-40°F to 250°F | <b>Material</b><br>316/316L Stainless Steel | <b>Industry Standards</b><br>SAE J1926-3, SAE J515 | <b>Series</b><br>6408-H-O-SS  |
| <b>Pressure Rating</b><br>5500 psi          | <b>Finish</b><br>Passivated                 |  | <b>Series Description</b><br>SAE J1926 O-Ring Boss<br>Hollow Hex Plug |