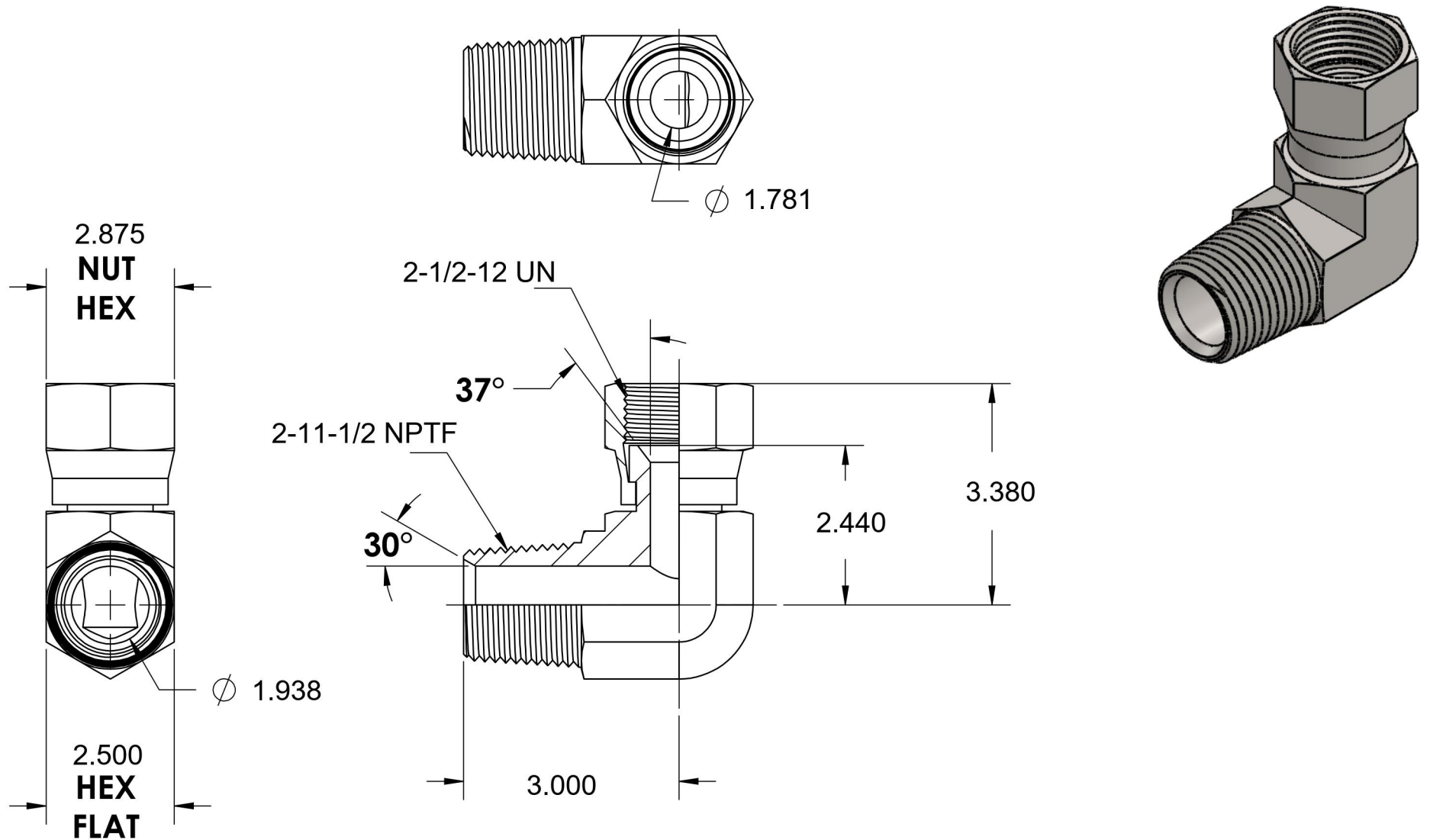


6501-32-32-FG

Steel, SAE J514 37° Flare Swivel 90° Male Elbow, 2" Male NPTF 30° x 2" Female JIC Swivel



6701 Cochran Road
Solon, Ohio 44139
Phone: (440) 248-1880
Toll Free: 1-888-331-1523

Temperature Rating	Material	Industry Standards	Series
-65°F to 500°F	C1045 Steel	SAE J514, SAE J476 ASTM B633	6501-FG
Pressure Rating	Finish	Series Description	
2000 psi	Trivalent Zinc	SAE J514 37° Flare Swivel 90° Male Elbow	