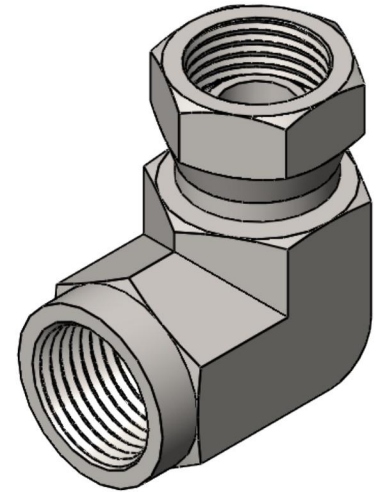
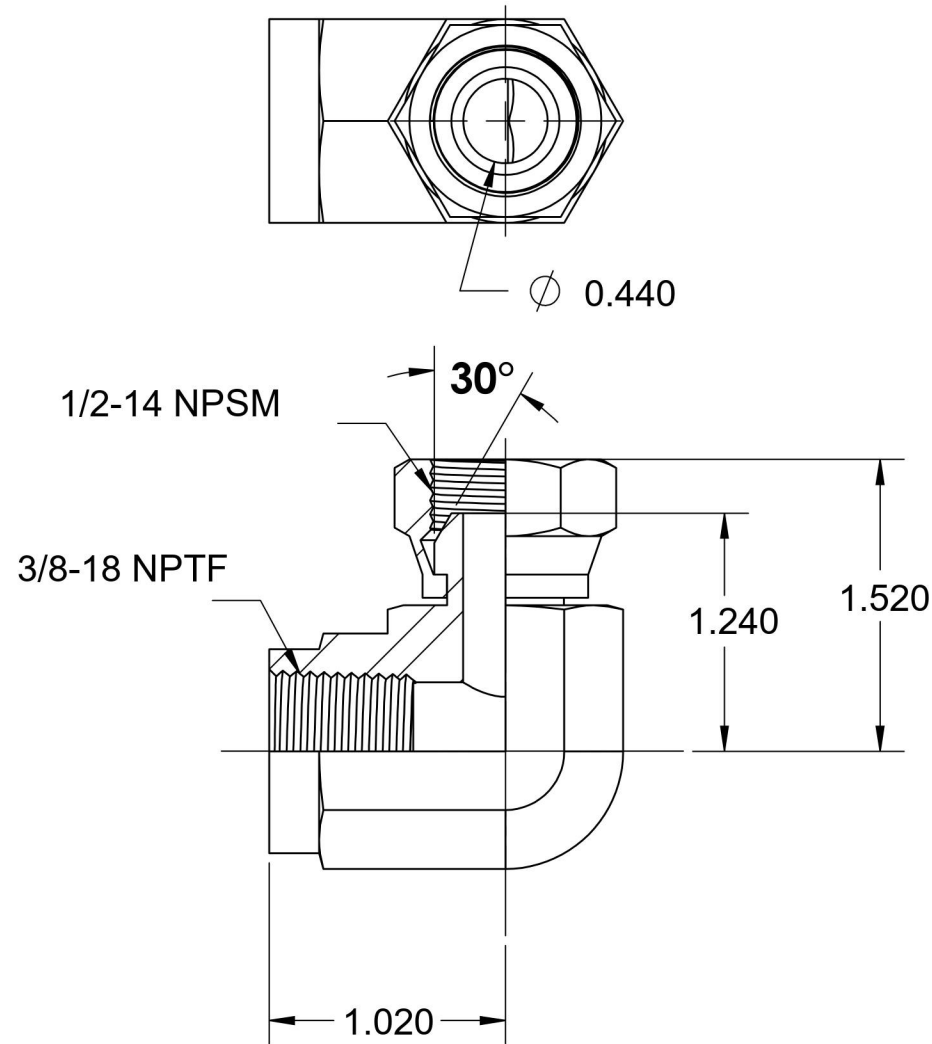
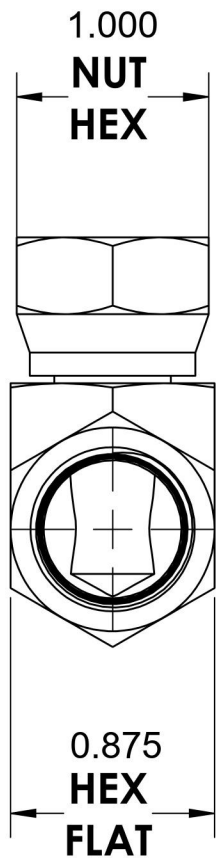


# 1502-06-08-SS

Stainless Steel, SAE J514 NPSM Swivel 90° Female Elbow, 3/8" Female NPTF x 1/2" Female NPSM Swivel



6701 Cochran Road  
Solon, Ohio 44139  
Phone: (440) 248-1880  
Toll Free: 1-888-331-1523

**Temperature Rating**

-425°F to 1200°F

**Pressure Rating**

3000 psi

**Material**

316/316L Stainless Steel

**Finish**

Passivated

**Industry Standards**

SAE J514, SAE J476

**Series**

1502-SS

**Series Description**

SAE J514 NPSM Swivel  
90° Female Elbow