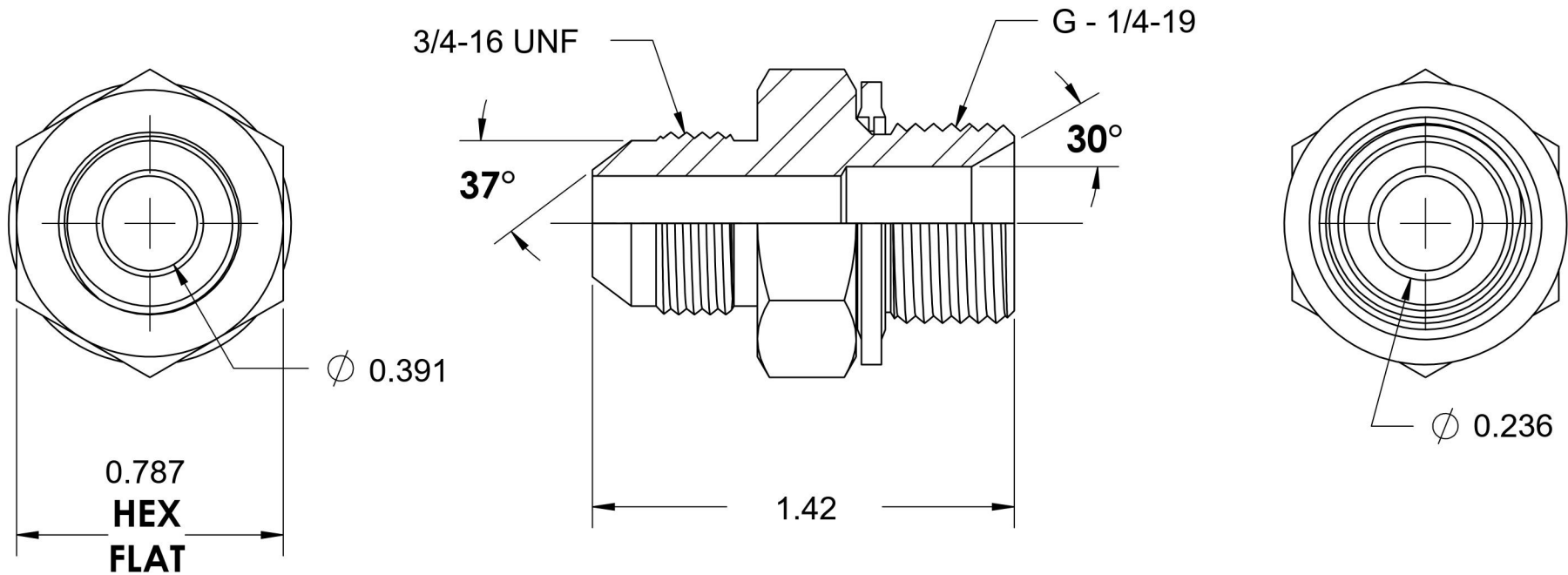


7002-08-04-BS-VITON

Steel, SAE J514 37° Flare BSPP Type (D) Bonded FKM Seal Port/Line Adapter, 1/2" Male JIC x 1/4-19 Male BSPP 60° Line/Port



6701 Cochran Road
Solon, Ohio 44139
Phone: (440) 248-1880
Toll Free: 1-888-331-1523

Temperature Rating 5°F to 500°F	Material C1045/12L14 Steel	Industry Standards SAE J514, ISO 1179	Series 7002-BS
Pressure Rating 5100 psi	Finish Trivalent Zinc	ASTM B633	Series Description SAE J514 37° Flare BSPP Type (D) Bonded Seal Port/Line Adapter