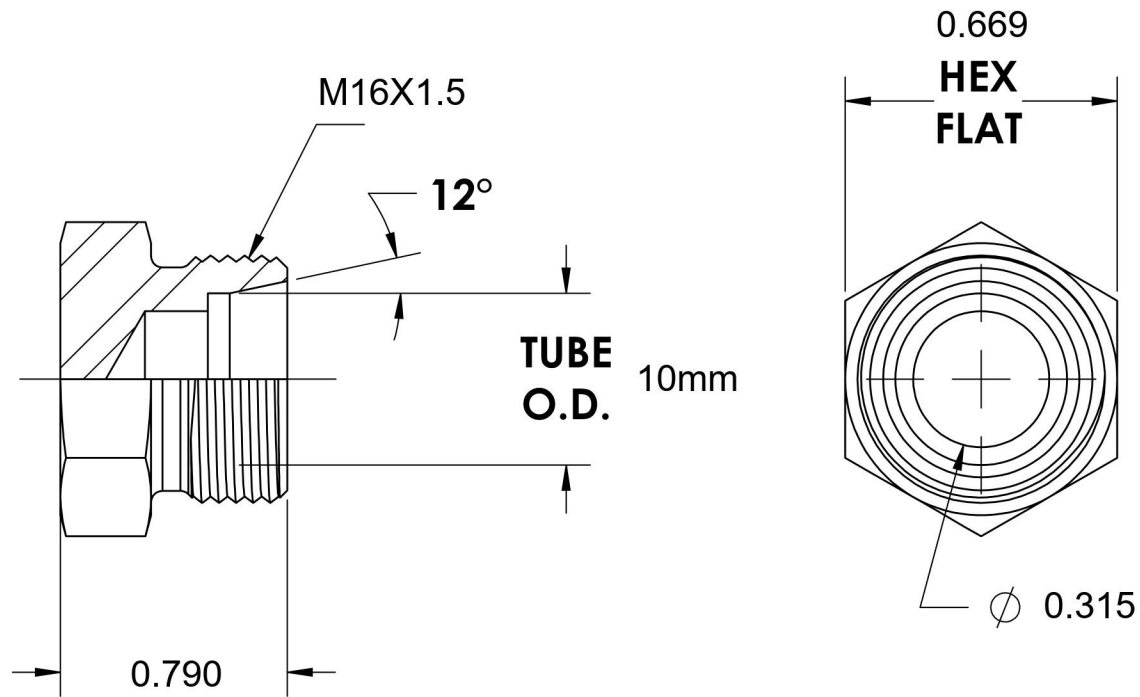
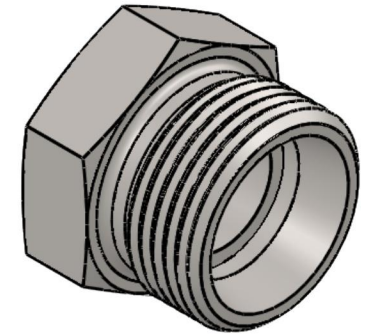


# D2408-L10-SS-X

Stainless Steel, DIN 2353 Plug, Light 10mm Tube OD, Body Only



6701 Cochran Road  
Solon, Ohio 44139  
Phone: (440) 248-1880  
Toll Free: 1-888-331-1523

<b>Temperature Rating</b>	<b>Material</b>	<b>Industry Standards</b>	<b>Series</b>
-425°F to 1200°F	316Ti Stainless Steel	DIN 2353, ISO 8434-1	D2408-SS-X
<b>Pressure Rating</b>	<b>Finish</b>		<b>Series Description</b>
7252 psi	Passivated		DIN 2353 Flareless Tube Plug, Body Only