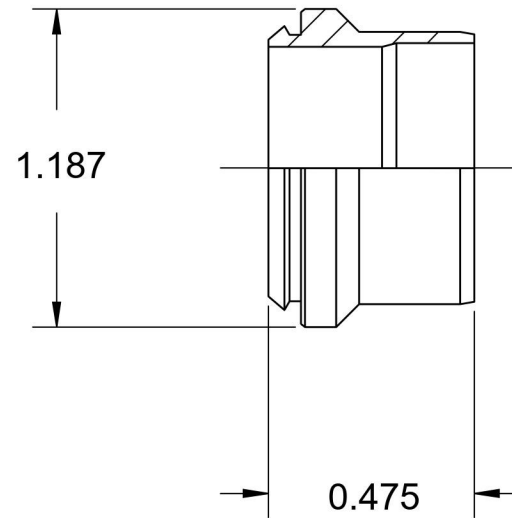
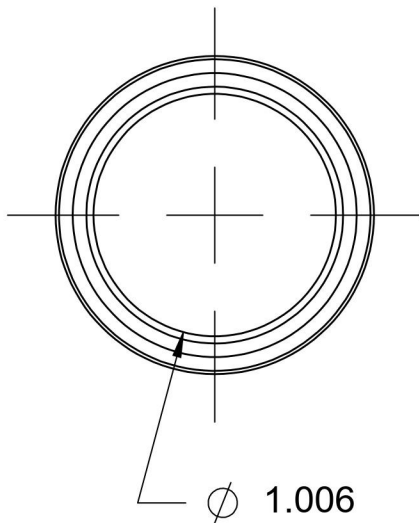


# C0319-16

Steel, SAE J514 Flareless Tube Ferrule, 1" Flareless Bite Type Sleeve Type A



6701 Cochran Road  
Solon, Ohio 44139  
Phone: (440) 248-1880  
Toll Free: 1-888-331-1523

<b>Temperature Rating</b>	<b>Material</b>	<b>Industry Standards</b>	<b>Series</b>
-65°F to 500°F	Low Carbon Steel	SAE J514, AMS 2769 MIL-DTL-16236, ASTM-F1137	C0319
<b>Pressure Rating</b>	<b>Finish</b>		<b>Series Description</b>
Not Available	Zinc Phosphate Heat Treat per AMS 2769		SAE J514 Flareless Tube Ferrule