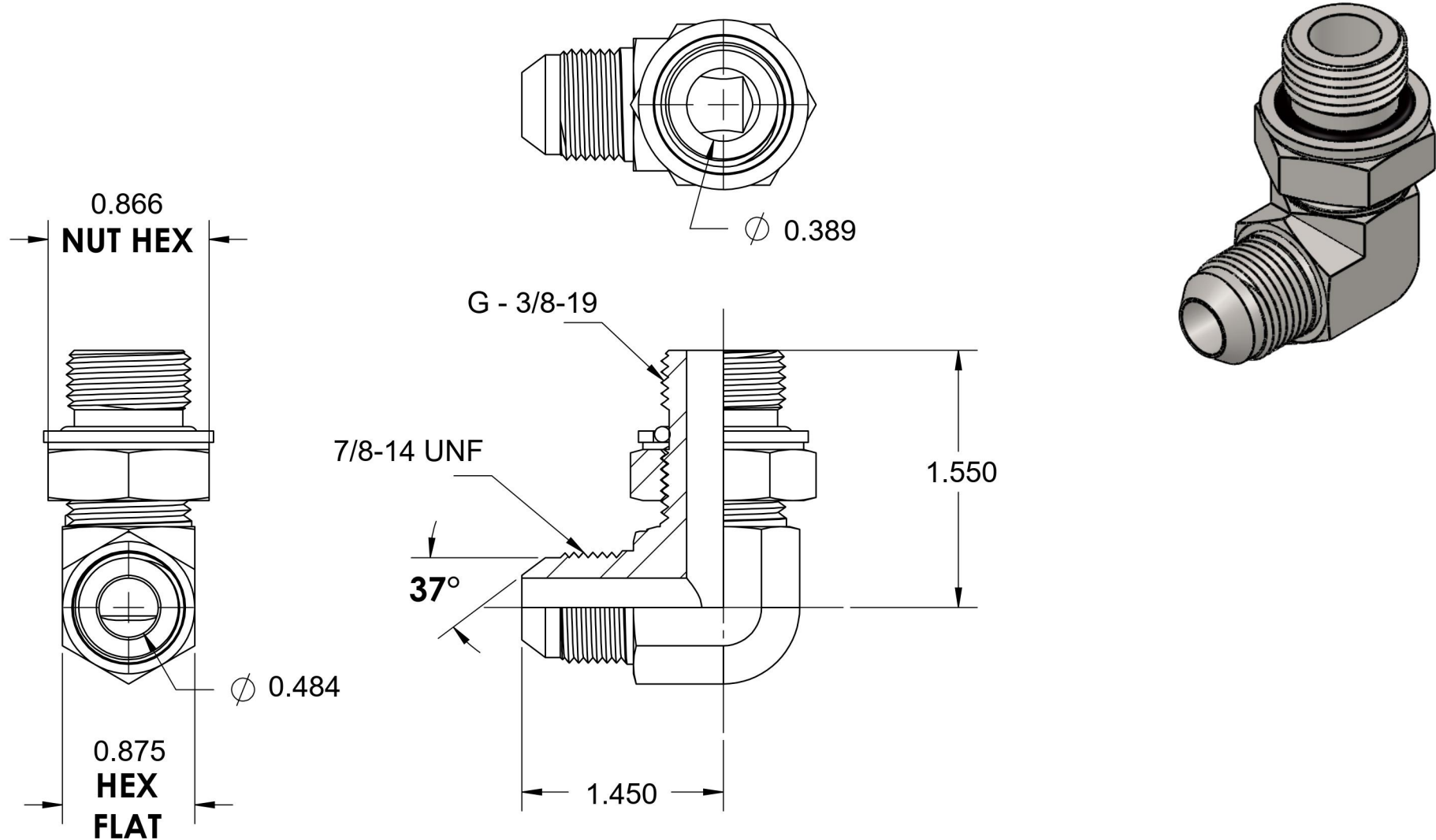


7202-10-06-NWO-FG

Steel, SAE J514 37° Flare Male BSPP Adjustable (Type H) Port 90° Elbow, 5/8" Male JIC x 3/8-19 Male BSPP Adjustable ORR



6701 Cochran Road
Solon, Ohio 44139
Phone: (440) 248-1880
Toll Free: 1-888-331-1523

| | | | |
|---------------------------|-----------------|---------------------------------|---|
| Temperature Rating | Material | Industry Standards | Series |
| -40°F to 250°F | C1045 Steel | SAE J514, ISO 1179 ASTM B633 | 7202-NWO-FG-ORR |
| Pressure Rating | Finish | | Series Description |
| 3600 psi | Trivalent Zinc | | SAE J514 37° Flare Male BSPP Adjustable (Type H) Port 90° Elbow |