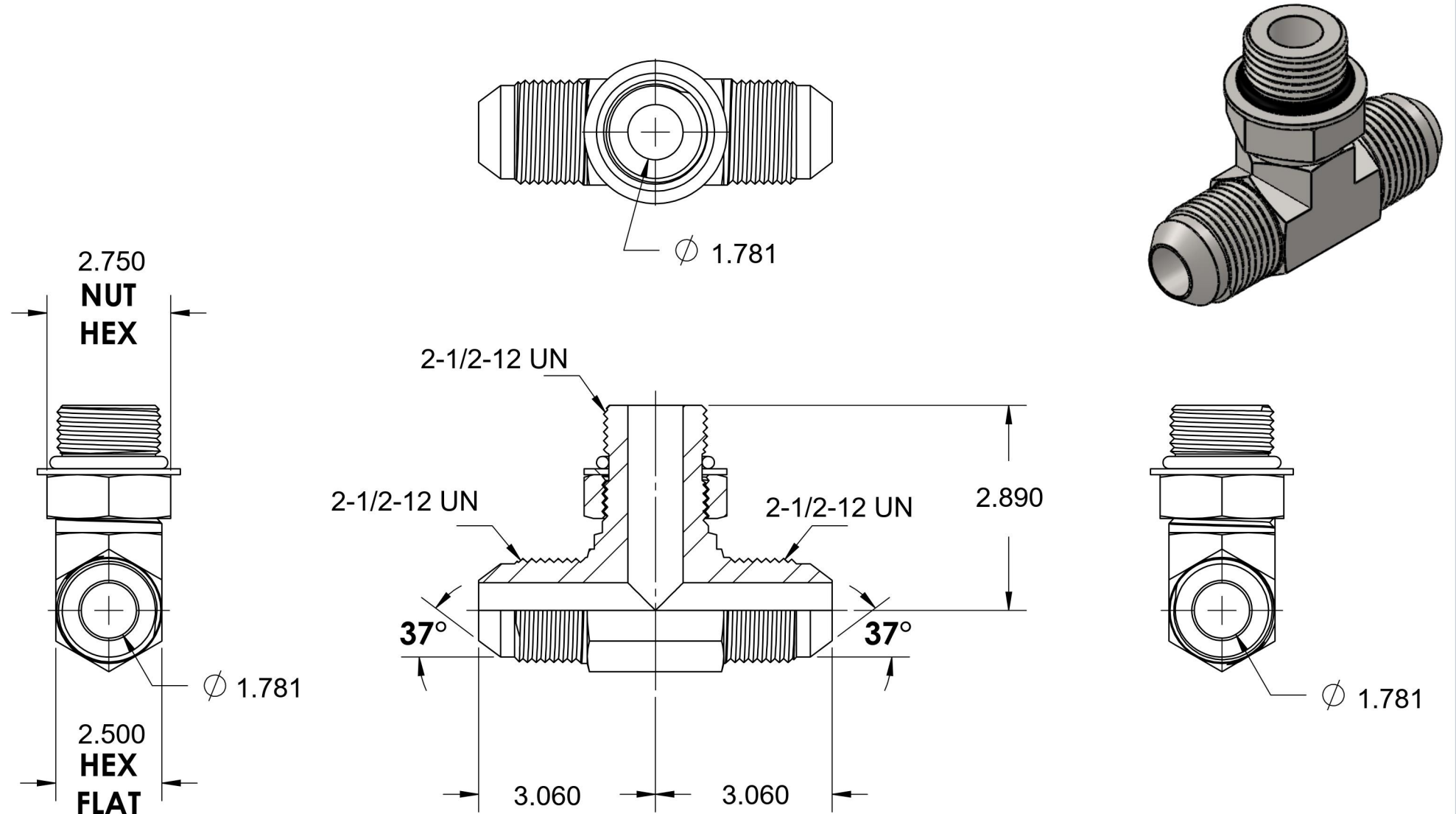


# 6803-32-32-32-NWO-SS

Stainless Steel, SAE J514 37° Flare Adjustable Port Branch Tee, 2" Male JIC x 2" Male JIC x 2-1/2-12 Male Adjustable ORB



6701 Cochran Road  
Solon, Ohio 44139  
Phone: (440) 248-1880  
Toll Free: 1-888-331-1523

**Temperature Rating**

-40°F to 250°F

**Pressure Rating**

1500 psi

**Material**

316/316L Stainless Steel

**Finish**

Passivated

**Industry Standards**

SAE J514, SAE J1926-3  
SAE J515

**Series**

6803-NWO-SS

**Series Description**

SAE J514 37° Flare Adjustable  
Port Branch Tee