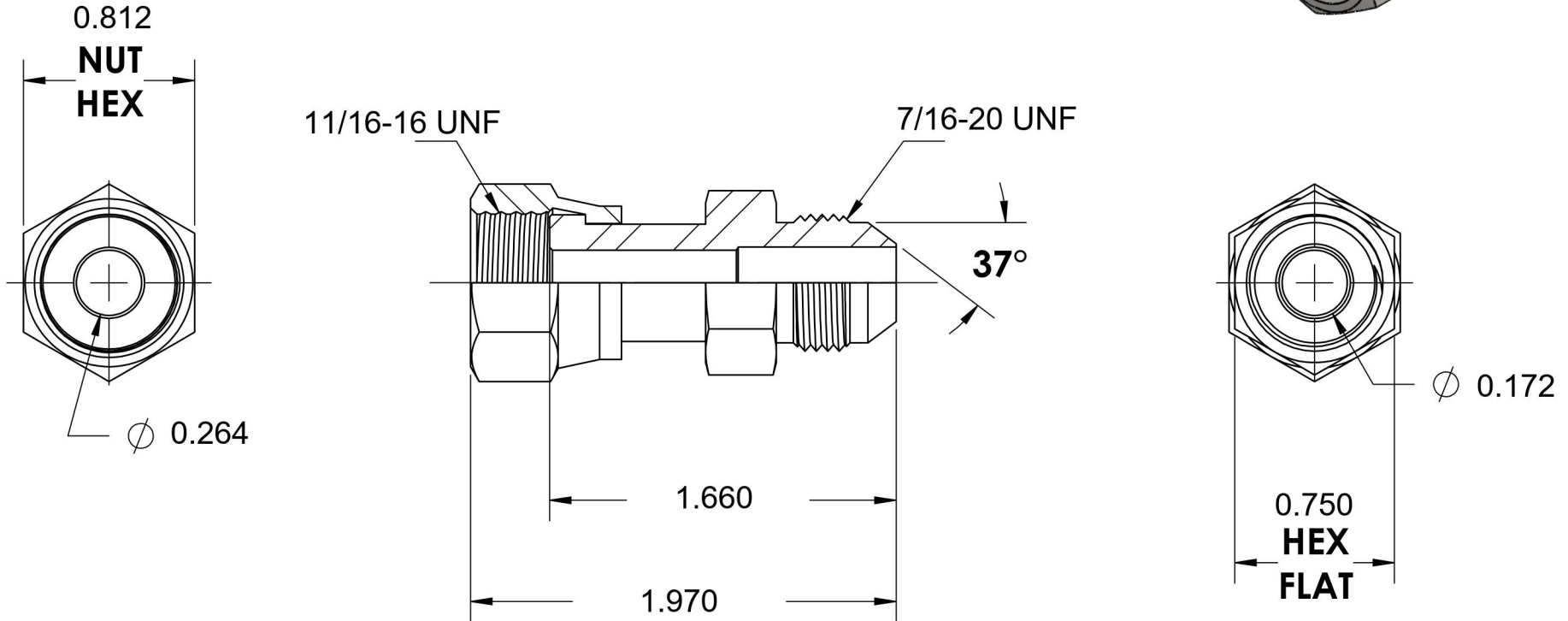
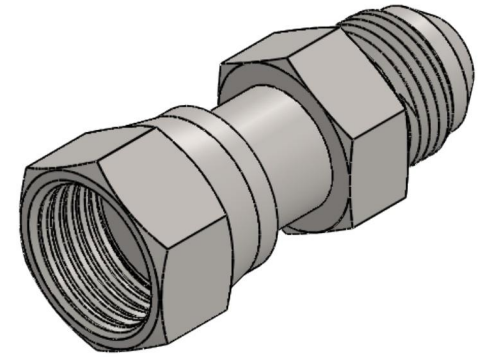


FS6504-06-04

Steel, SAE J1453 O-Ring Face Seal Swivel Adapter, 3/8" Female ORFS Swivel x 1/4" Male JIC



6701 Cochran Road
Solon, Ohio 44139
Phone: (440) 248-1880
Toll Free: 1-888-331-1523

| | | | |
|---------------------------|-------------------|----------------------------------|---|
| Temperature Rating | Material | Industry Standards | Series |
| -65°F to 500°F | C1045/12L14 Steel | SAE J1453, SAE J514 ASTM B633 | FS6504 |
| Pressure Rating | Finish | | Series Description |
| 6000 psi | Trivalent Zinc | | SAE J1453 O-Ring Face Seal Swivel Adapter |