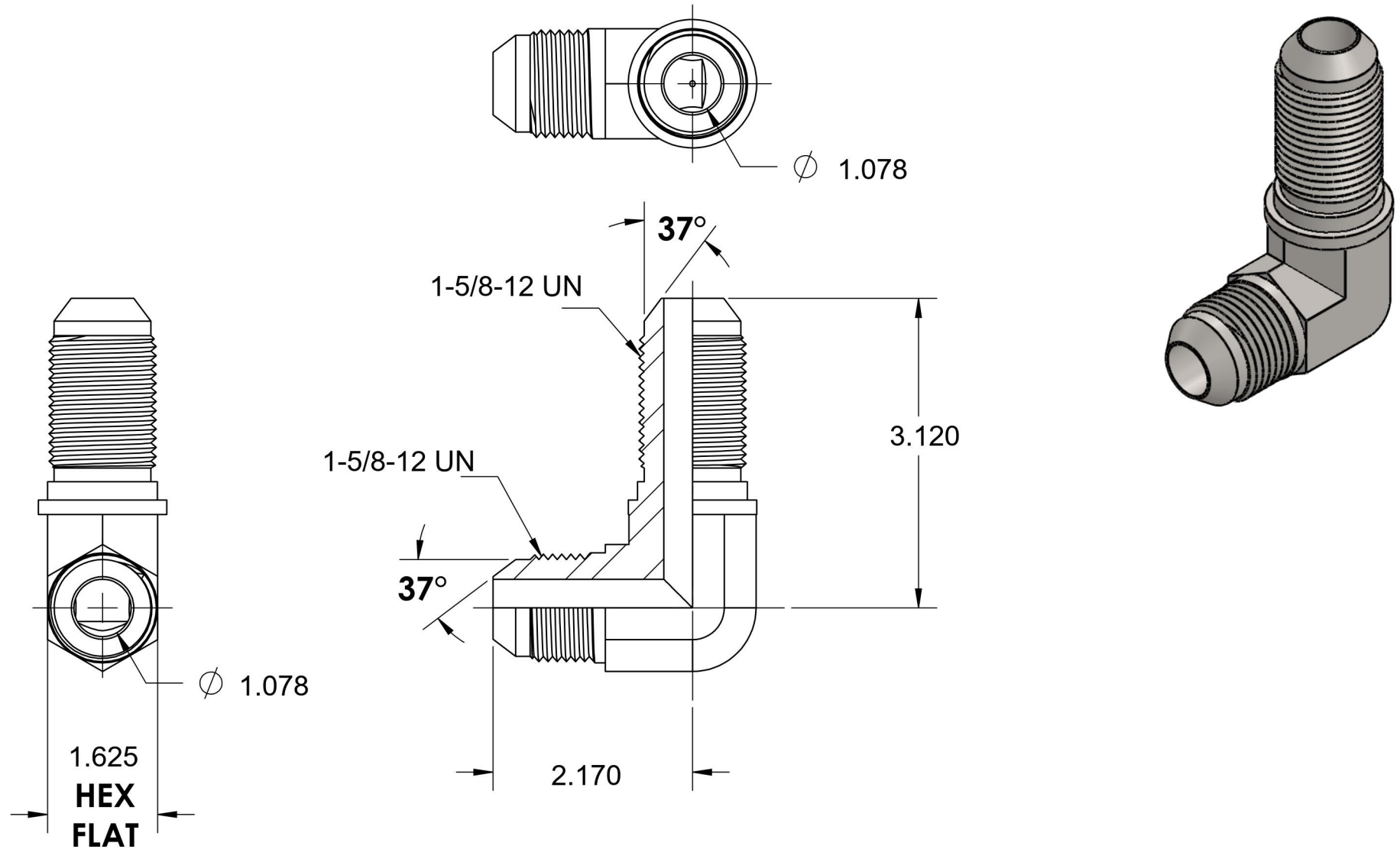


2701-20-20-SS

Stainless Steel, SAE J514 37° Flare Bulkhead 90° Elbow, 1-1/4" Male JIC x 1-1/4" Male JIC



6701 Cochran Road
Solon, Ohio 44139
Phone: (440) 248-1880
Toll Free: 1-888-331-1523

| | | | |
|---------------------------|--------------------------|---------------------------|---------------------------------------|
| Temperature Rating | Material | Industry Standards | Series |
| -425°F to 1200°F | 316/316L Stainless Steel | SAE J514 | 2701-SS |
| Pressure Rating | Finish | | Series Description |
| 3000 psi | Passivated | | SAE J514 37° Flare Bulkhead 90° Elbow |