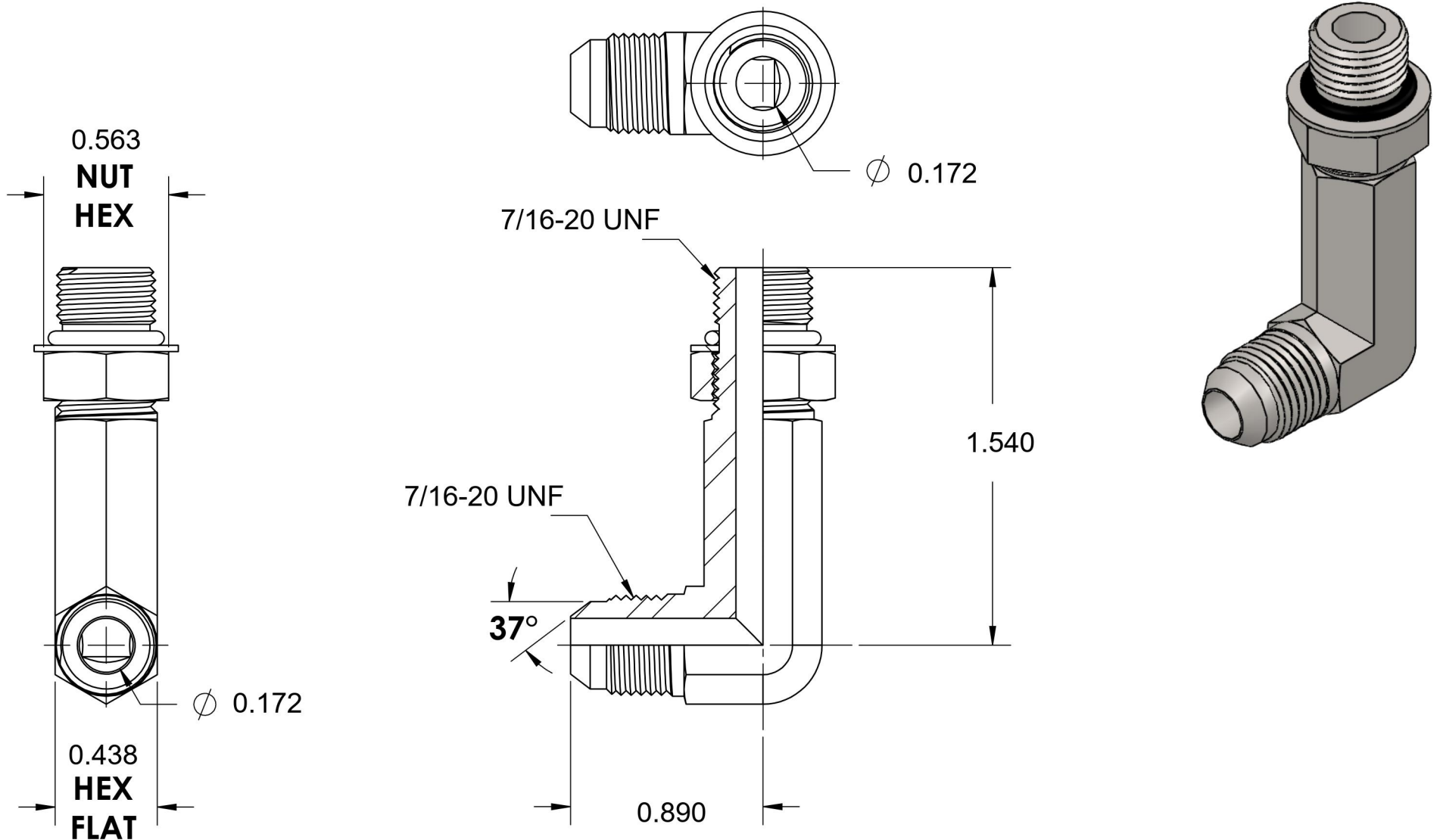


# 6801-L-04-04-NWO-SS

Stainless Steel, SAE J514 37° Flare 90° Long Adjustable Port Elbow, 1/4" Male JIC x 7/16-20 Male Adjustable ORB



6701 Cochran Road  
Solon, Ohio 44139  
Phone: (440) 248-1880  
Toll Free: 1-888-331-1523

|                           |                    |                           |   |
|---------------------------|--------------------|---------------------------|---|
| <b>Temperature Rating</b> | <b>Material</b>    | <b>Industry Standards</b> | <b>Series</b>                                     |
| -40°F to 250°F            | 316/316L Stainless | SAE J514, SAE J1926-3     | 6801-L-NWO-FG                                     |
| <b>Pressure Rating</b>    | <b>Finish</b>      |                           | <b>Series Description</b>                         |
| 6000psi                   | Passivation        |                           | SAE J514 37° Flare 90° Long Adjustable Port Elbow |