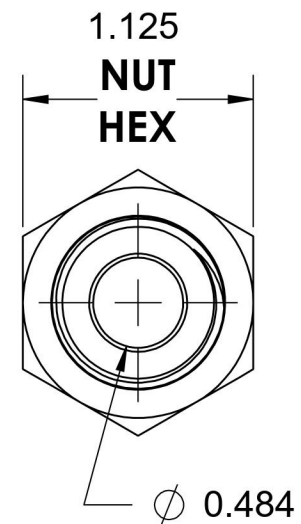
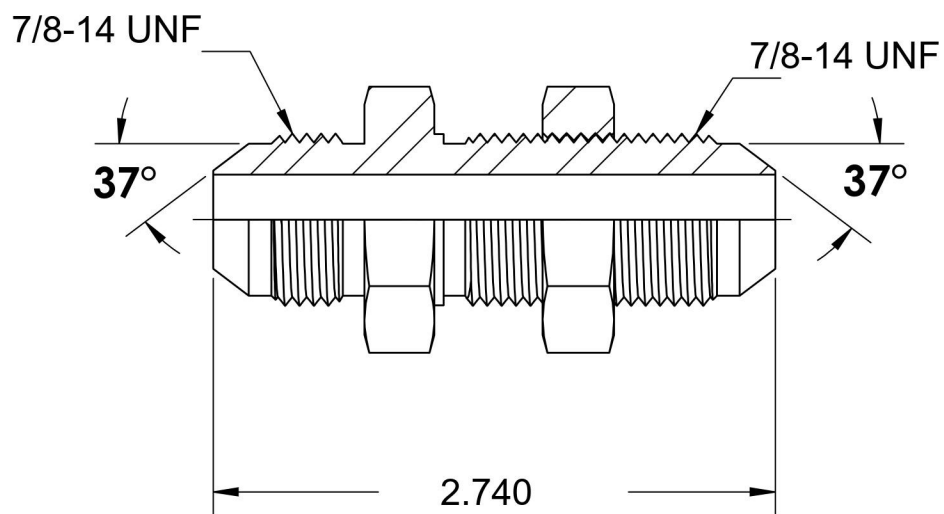
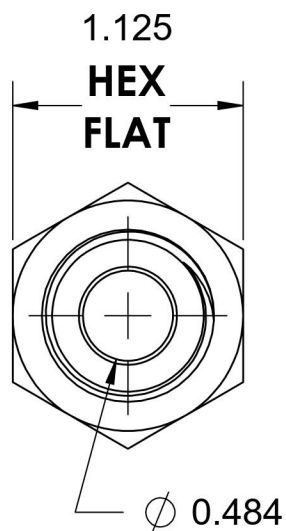
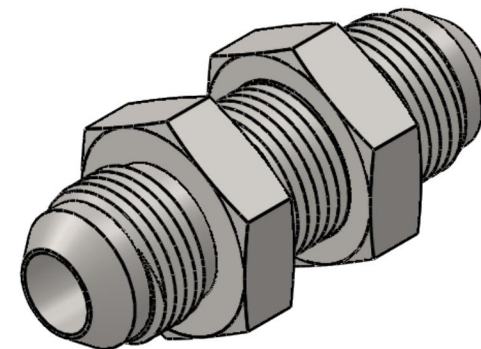


2700-LN-10-10

Steel, SAE J514 37° Flare Bulkhead With Lock Nut, 5/8" Male JIC x 5/8" Male JIC



6701 Cochran Road
Solon, Ohio 44139
Phone: (440) 248-1880
Toll Free: 1-888-331-1523

Temperature Rating

-65°F to 500°F

Pressure Rating

5000 psi

Material

C1045/12L14 Steel

Finish

Trivalent Zinc

Industry Standards

SAE J514, ASTM B633

Series

2700-LN

Series Description

SAE J514 37° Flare
Bulkhead With Lock Nut