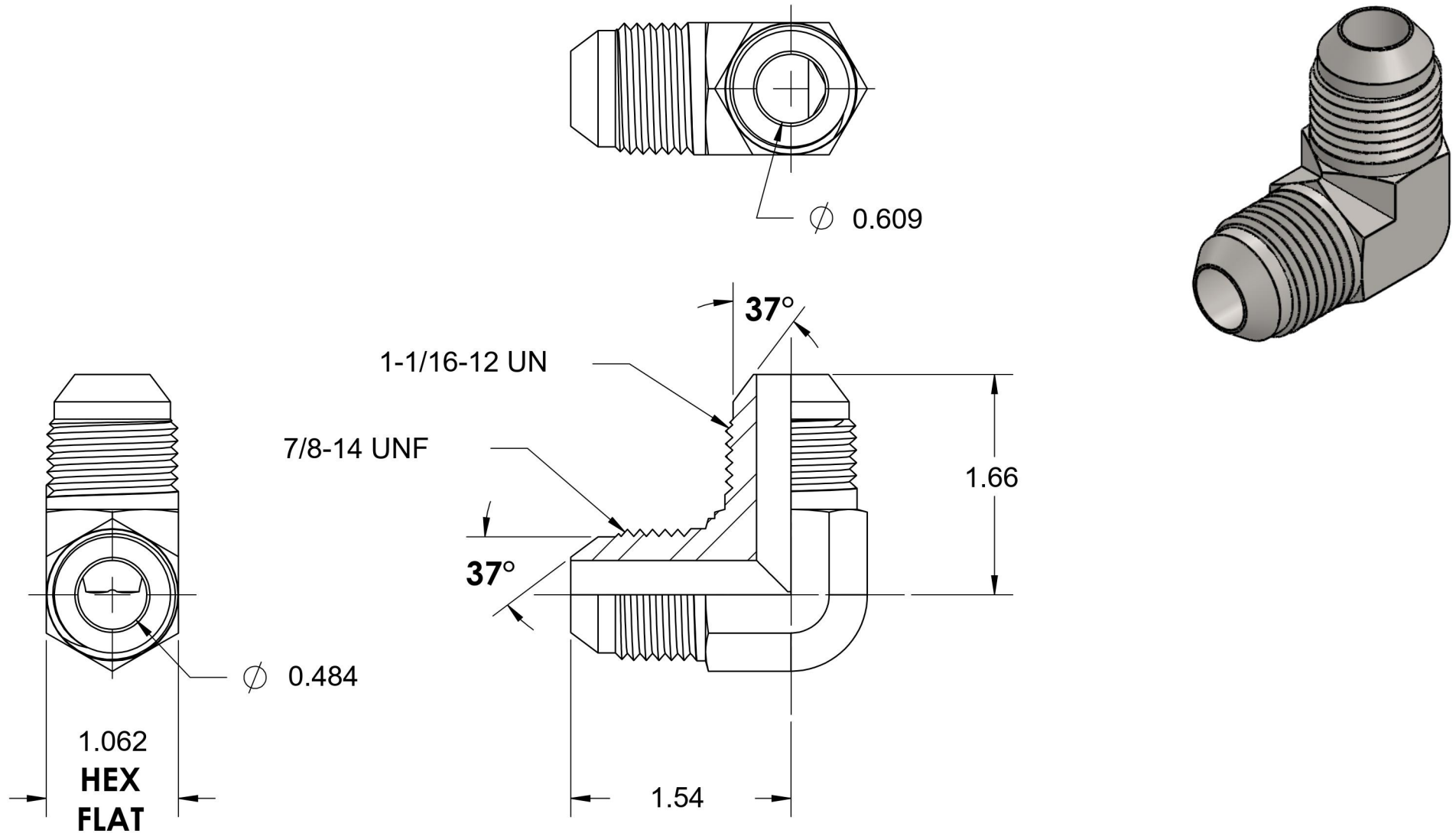


2500-10-12-FG

Steel, SAE J514 37° Flare 90° Union Elbow, 5/8" Male JIC x 3/4" Male JIC



6701 Cochran Road
Solon, Ohio 44139
Phone: (440) 248-1880
Toll Free: 1-888-331-1523

| | | | |
|---|---------------------------------|--|--|
| Temperature Rating -65°F to 500°F | Material C1045 Steel | Industry Standards SAE J514, ASTM B633 | Series 2500-FG |
| Pressure Rating 5000 psi | Finish Trivalent Zinc | | Series Description SAE J514 37° Flare 90° Union Elbow |