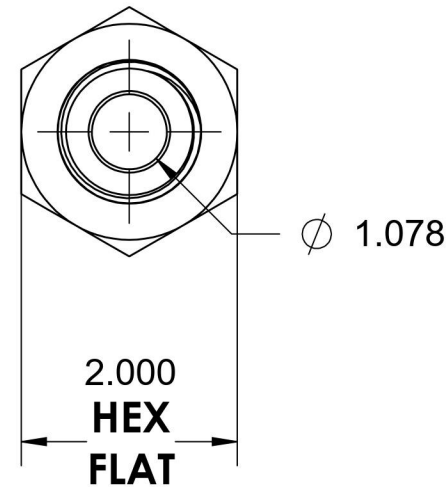
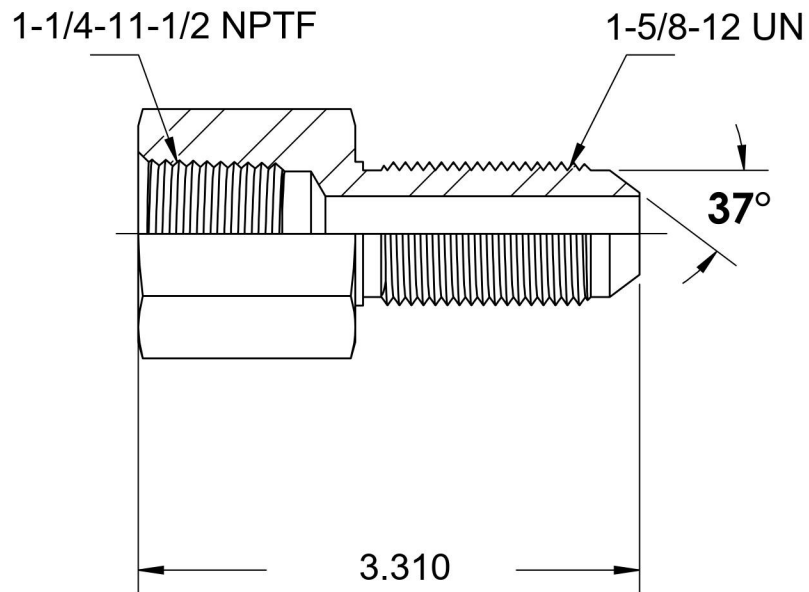
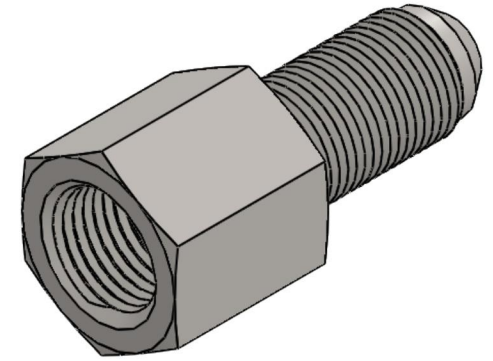


2705-20-20-SS

Stainless Steel, SAE J514 Flared Tube Female Bulkhead, 1-1/4" Female NPTF x 1-1/4" Male JIC



6701 Cochran Road
Solon, Ohio 44139
Phone: (440) 248-1880
Toll Free: 1-888-331-1523

Temperature Rating -425°F to 1200°F	Material 316/316L Stainless Steel	Industry Standards SAE J514 , SAE J476	Series 2705
Pressure Rating 2000 psi	Finish Passivated		Series Description SAE J514 Flared Tube Female Bulkhead