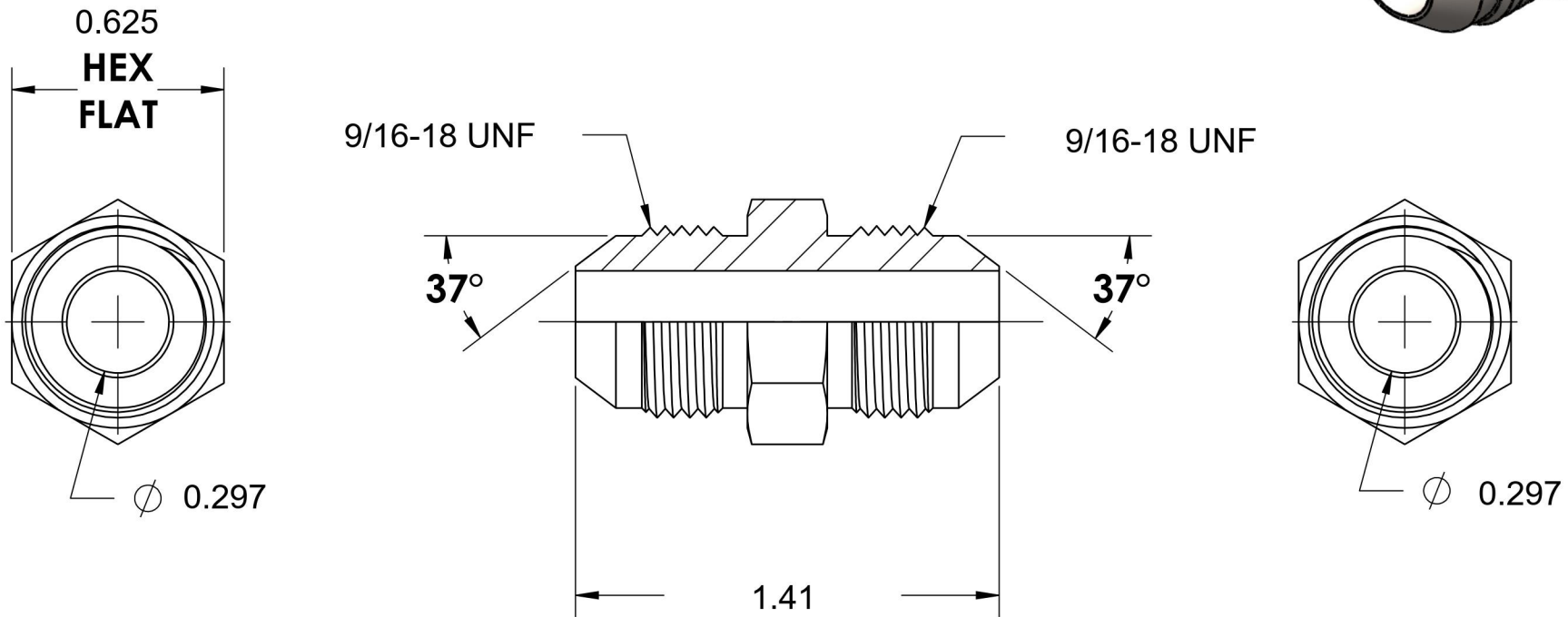


2403-06-06-SS

Stainless Steel, SAE J514 37° Flare Union, 3/8" Male JIC x 3/8" Male JIC



6701 Cochran Road
Solon, Ohio 44139
Phone: (440) 248-1880
Toll Free: 1-888-331-1523

| | | | |
|---------------------------|--------------------------|---------------------------|---------------------------|
| Temperature Rating | Material | Industry Standards | Series |
| -425°F to 1200°F | 316/316L Stainless Steel | SAE J514 | 2403-SS |
| Pressure Rating | Finish | | Series Description |
| 7200 psi | Passivated | | SAE J514 37° Flare Union |