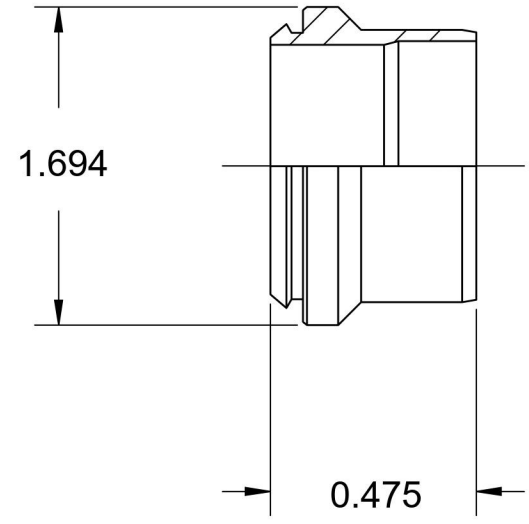
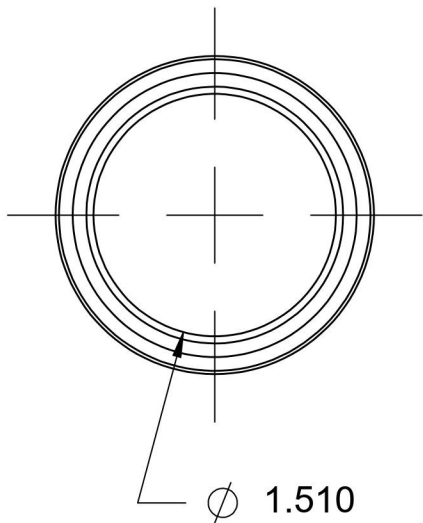
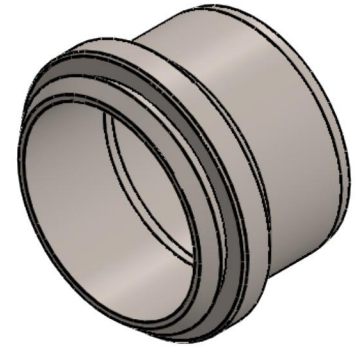


# C0319-24-SS

Stainless Steel, SAE J514 Flareless Tube Ferrule, 1-1/2" Flareless Bite Type Sleeve Type A



6701 Cochran Road  
Solon, Ohio 44139  
Phone: (440) 248-1880  
Toll Free: 1-888-331-1523

<b>Temperature Rating</b> -425°F to 1200°F	<b>Material</b> 17-4 PH Stainless Steel	<b>Industry Standards</b> SAE J514	<b>Series</b> C0319
<b>Pressure Rating</b> Not Available	<b>Finish</b> Passivation		<b>Series Description</b> SAE J514 Flareless Tube Ferrule