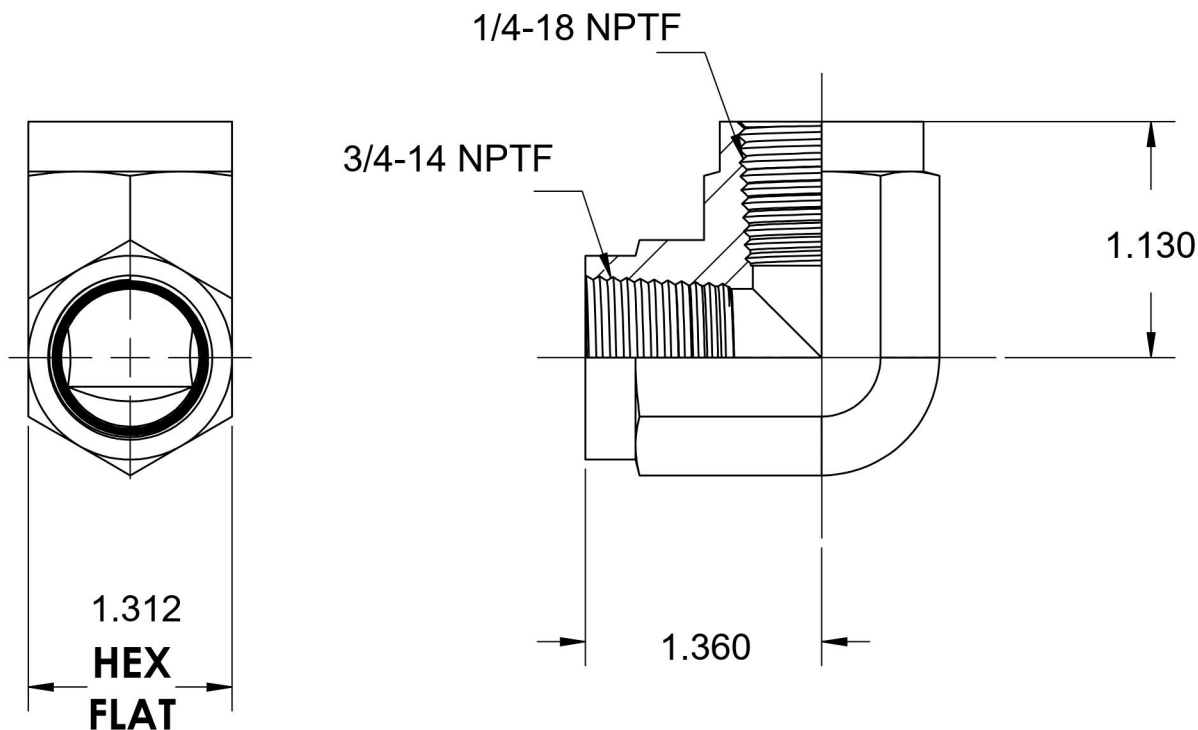


# 5504-12-04-SS

Stainless Steel, SAE J514 Pipe 90° Female Elbow, 3/4" Female NPTF x 1/4" Female NPTF



6701 Cochran Road  
Solon, Ohio 44139  
Phone: (440) 248-1880  
Toll Free: 1-888-331-1523

<b>Temperature Rating</b> -425°F to 1200°F	<b>Material</b> 316/316L Stainless Steel	<b>Industry Standards</b> SAE J514, SAE J476	<b>Series</b> 5504-SS
<b>Pressure Rating</b> 3000 psi	<b>Finish</b> Passivated		<b>Series Description</b> SAE J514 Pipe 90° Female Elbow