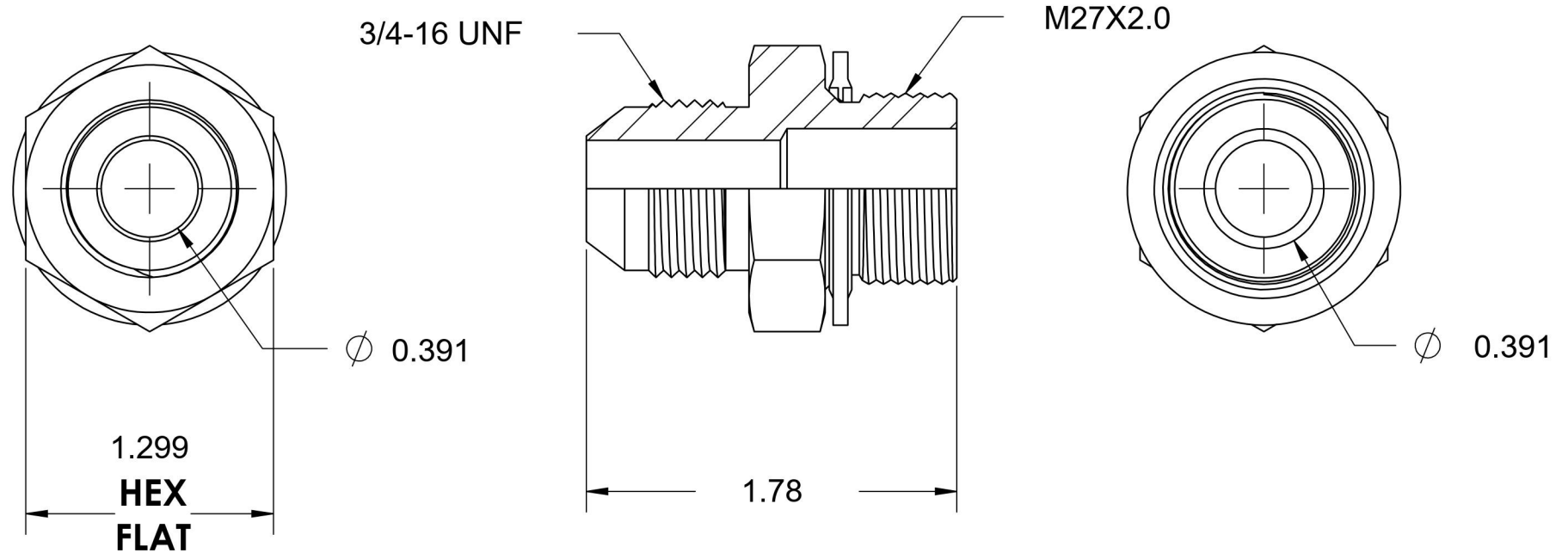
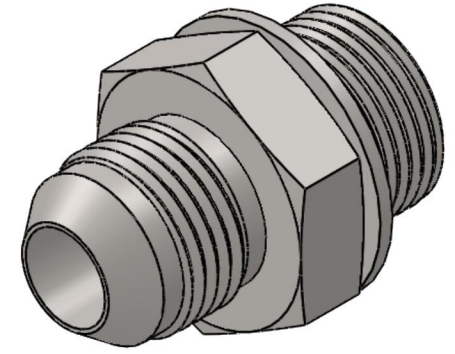


7005-08-27-BS-VITON

Steel, SAE J514 37° Flare Metric Type (D) Bonded Seal Port/Line Connector, 1/2" Male JIC x M27X2.0 Male Metric 60° Line/Port, FKM Seal



6701 Cochran Road
Solon, Ohio 44139
Phone: (440) 248-1880
Toll Free: 1-888-331-1523

| | | | |
|---------------------------|-------------------|---------------------------|---|
| Temperature Rating | Material | Industry Standards | Series |
| -15°F to 400°F | C1045/12L14 Steel | SAE J514, ISO 9974 | 7005-BS |
| Pressure Rating | Finish | ASTM B633 | Series Description |
| 5500 psi | Trivalent Zinc | | SAE J514 37° Flare Metric Type (D) Bonded Seal Port/Line Connector |