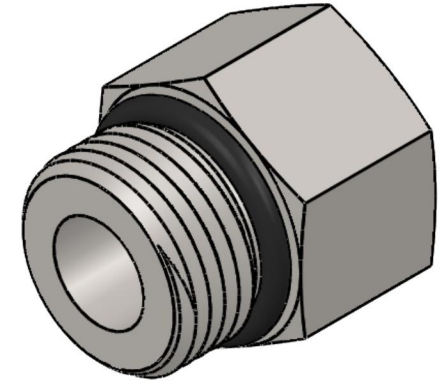
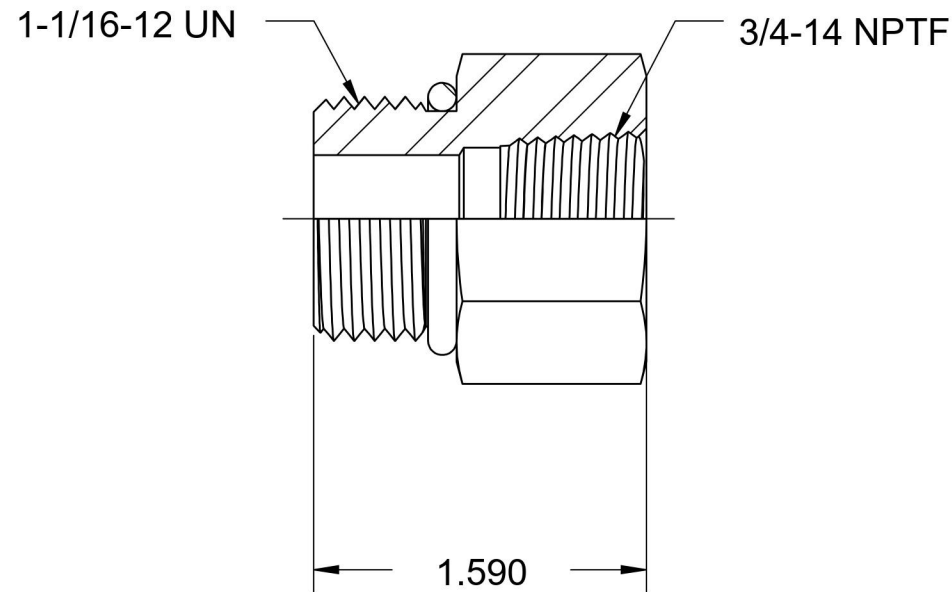
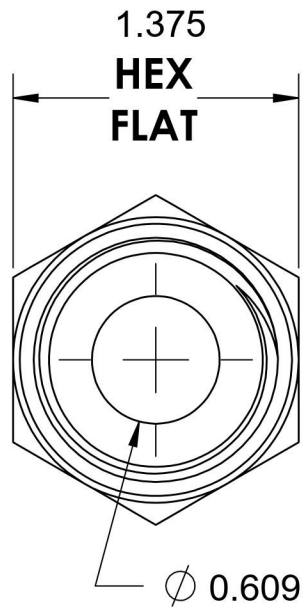


# 6405-12-12-O

Steel, SAE J1926 O-Ring Boss Female Adapter, 1-1/16-12 Male ORB x 3/4" Female NPTF



6701 Cochran Road  
Solon, Ohio 44139  
Phone: (440) 248-1880  
Toll Free: 1-888-331-1523

|                           |                     |  |   |
|---------------------------|---------------------|--|---|
| <b>Temperature Rating</b> | <b>Material</b>     | <b>Industry Standards</b>                    | <b>Series</b>                           |
| -40°F to 250°F            | C1045 / 12L14 Steel | SAE J1926-3, SAE J476<br>SAE J515, ASTM B633 | 6405-O                                  |
| <b>Pressure Rating</b>    | <b>Finish</b>       |  | <b>Series Description</b>               |
| 4000 psi                  | Trivalent Zinc      |  | SAE J1926 O-Ring Boss<br>Female Adapter |